

Power Dividers

50 Years of
Excellence

2-18 GHz

Multi-Octave Type N
2- and 4-Way Power Dividers

- Precision, Multi-Octave Units Cover 2-8 GHz and 6-18 GHz
- Excellent Phase and Amplitude Tracking
- Low Input VSWR
- High Isolation Between Output Ports



Specifications

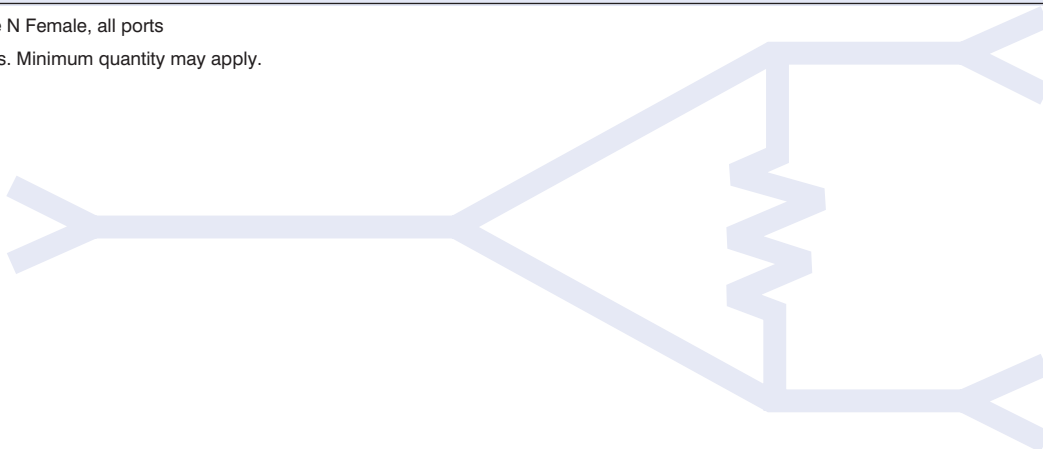
FREQUENCY RANGE GHz	MODEL	BAND SEGMENTS	VSWR		INSERTION LOSS dB (max)	ISOLATION dB (min)	AMP BAL dB (max)	PHASE BAL Degrees (max)	AVG POWER Watts (max) LOAD VSWR			WEIGHT	
			INPUT (max)	OUTPUT dB					1.2	2.0	∞	oz	gr
2-8	3324-2	2-4	1.35	1.25	0.7	20	0.20	3	30	10	1	5.0	140
		4-8	1.35	1.25	0.7	20	0.30	4	30	10	1	5.0	140
6-18	3326B-2*	6-12.4	1.60	1.50	0.6	20	0.20	3	30	10	1	4.8	135
		12.4-18	1.50	1.50	1.10	17	0.30	4	30	10	1	4.8	135
2-18	3456-2	2-8	1.50	1.50	0.7	20	0.3	6	30	10	1	7.1	200
		8-18	1.50	1.50	1.40	19	0.5	9	30	10	1	7.1	200

4-Way Multi-Octave Power Divider

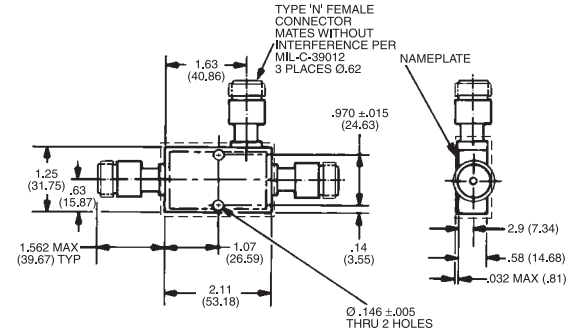
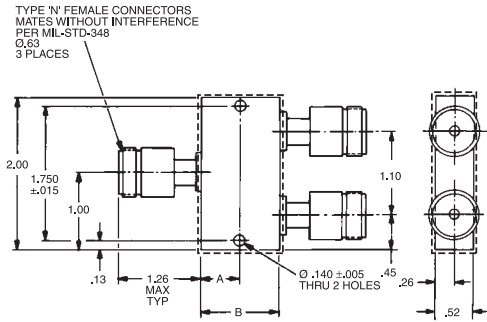
FREQUENCY RANGE GHz	MODEL	VSWR		INSERTION LOSS dB (max)	ISOLATION dB (min)	AMP BAL dB (max)	PHASE BAL Degrees (max)	AVG POWER Watts (max) LOAD VSWR			WEIGHT	
		INPUT	OUTPUT					1.2	2.0	∞	oz	gr
2-8	3324-4	1.45	1.35	0.9	18	0.4	7	30	10	1	9.7	275
6-18	3326B-4*	1.50	1.50	2.0	18	0.5	7	30	10	1	8.9	250

CONNECTOR: Type N Female, all ports

* Custom-order basis. Minimum quantity may apply.

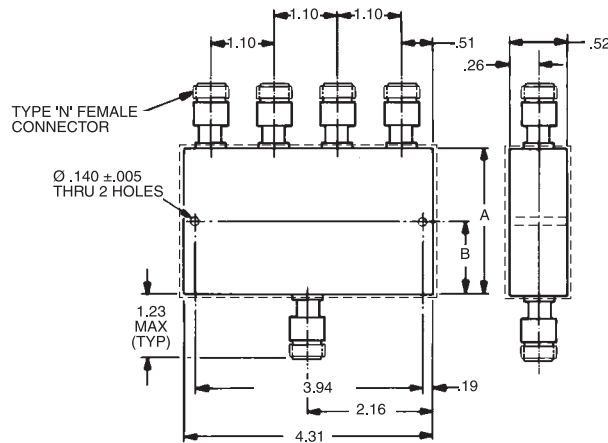


Outline Drawings



MODEL 3456-2

MODEL	A	B
3324-2	.84	1.69
3326B-2	.50	1.00



MODEL	A	B
3324-4	3.44	1.72
3326B-4	1.42	0.71

Allow .020 for sealant buildup per surface.