

Isolators and Circulators



Isolators and Circulators

2000-26500 MHz FERRITE ISOLATORS AND CIRCULATORS



SPECIFICATIONS

ISOLATORS

FREQUENCY (MHz)	MODEL NO.	ISOLATION (dB Min)	LOSS (db Max)	VSWR (Max)	PEAK POWER Fwd & Rev (Watts)	AVERAGE POWER (Watts)		TEMP. RANGE (°C)
						Forward	Reverse	
NARROWBAND								
2000-2300	4933	20	0.4	1.25:1	20	20	1*	-20 to +65
7000-10000	4915	20	0.4	1.25:1	10	5	1*	-20 to +65
11000-14000	4956	20	0.5	1.25:1	20	5	1*	-20 to +65
BROADBAND, OCTAVE AND GREATER								
2000-4000	4913	18	0.5	1.30:1	50	25	1*	0 to +55
4000-8000	4914	20	0.4	1.25:1	50	15	1*	-20 to +65
8000-18000	4946	16	0.6	1.45:1	15	5	1*	-20 to +65
11000-18000	4916	20	0.5	1.25:1	20	5	1*	-20 to +65
18000-26500	4917	17	0.6	1.40:1	10	3	1*	-20 to +65

CIRCULATORS — 3 PORT

FREQUENCY (MHz)	MODEL NO.	ISOLATION (dB Min)	LOSS (db Max)	VSWR (Max)	PEAK Fwd & Rev (Watts)	AVERAGE POWER (Watts)		TEMP. RANGE (°C)
						Forward	Reverse	
2000-4000	4923	18	0.5	1.30:1	50	25	25	0 to +55
4000-8000	4924	20	0.4	1.25:1	50	15	15	-20 to +65
7000-12400	4925	20	0.4	1.25:1	25	10	10	-20 to +65

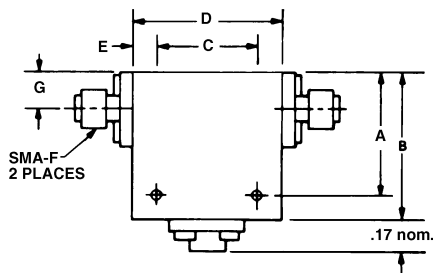
*Limited by termination power handling capacity

Isolators and Circulators

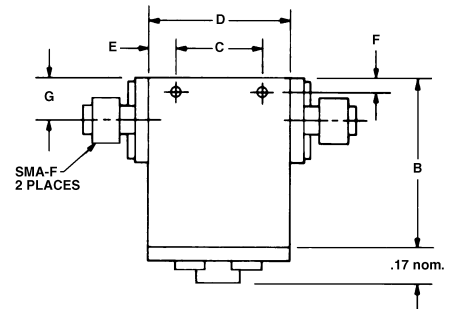
SPECIFICATIONS

MODEL No.	OUTLINE DRAWING	MOUNTING DPTH.	HOLES SIZE*	THICK	A	B	C	D	E	F	G
4933	I	.15	b	.50	.75	1.00	.750	1.00	.13	—	.25
4915	II	.15	b	.50	—	.63	.375	.50	.06	.16	.25
4956	II	.15	b	.50	—	.63	.375	.50	.06	.16	.25
4913	III	.18	c	.75	1.100	1.65	1.000	1.60	.30	.25	.25
4914	III	.15	b	.60	.600	1.00	.750	1.00	.13	.25	.25
4946	II	.15	b	.55	—	.80	.500	.63	.07	.25	.25
4916	II	.13	b	.55	—	.80	.500	.63	.07	.25	.25
4917	II	.18	b	.50	—	.66	.380	.50	.06	.18	.25

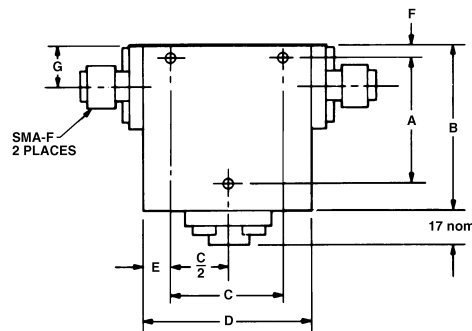
OUTLINE DRAWINGS



OUTLINE I



OUTLINE II



OUTLINE III

NOTES:

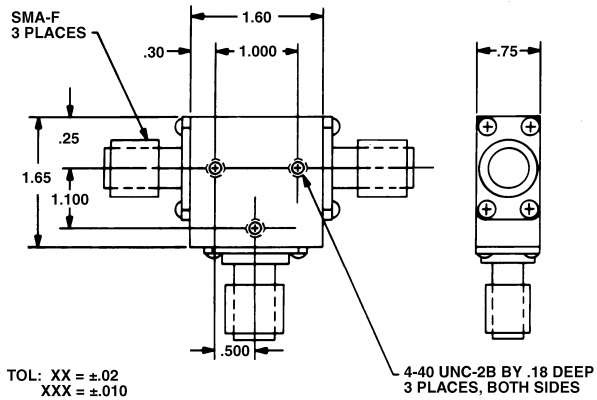
TOL: .xx ±.02
.xxx ±.010

Mounting holes both sides

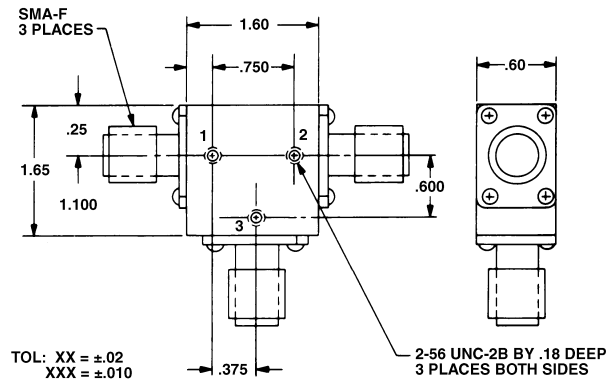
B = 2-56 UNC-2B
C = 4-40 UNC-2B

Isolators and Circulators

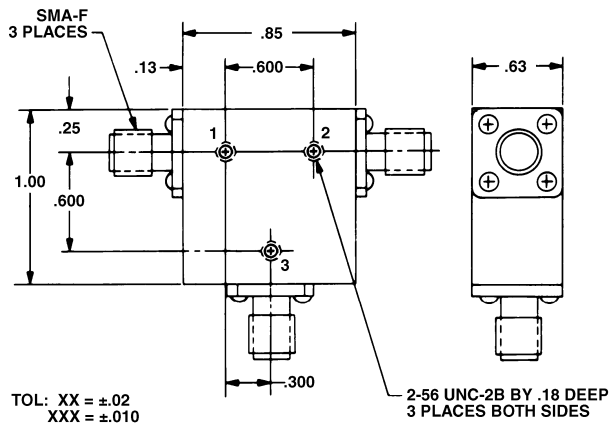
OUTLINE DRAWINGS



MODEL 4923



MODEL 4924



MODEL 4925