

## Errata

**Title & Document Type:** 423A and 8470A Crystal Detector Operating and Service Manual

**Manual Part Number:** 00423-90001

**Revision Date:** July 1976

### About this Manual

We've added this manual to the Agilent website in an effort to help you support your product. This manual provides the best information we could find. It may be incomplete or contain dated information, and the scan quality may not be ideal. If we find a better copy in the future, we will add it to the Agilent website.

### HP References in this Manual

This manual may contain references to HP or Hewlett-Packard. Please note that Hewlett-Packard's former test and measurement, life sciences, and chemical analysis businesses are now part of Agilent Technologies. The HP XXXX referred to in this document is now the Agilent XXXX. For example, model number HP8648A is now model number Agilent 8648A. We have made no changes to this manual copy.

### Support for Your Product

Agilent no longer sells or supports this product. You will find any other available product information on the Agilent Test & Measurement website:

[www.agilent.com](http://www.agilent.com)

Search for the model number of this product, and the resulting product page will guide you to any available information. Our service centers may be able to perform calibration if no repair parts are needed, but no other support from Agilent is available.

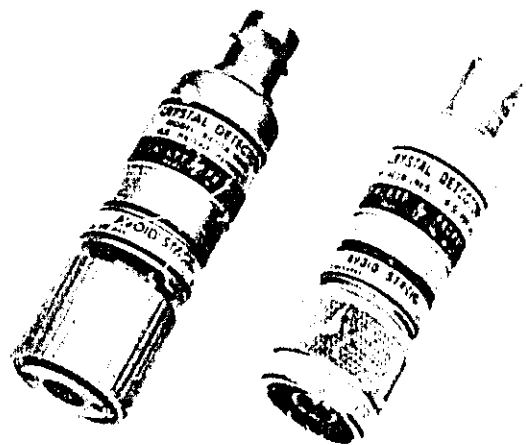


**Agilent Technologies**

HP 423A  
HP 8470A

OPERATING AND SERVICE MANUAL

**423A  
8470A  
CRYSTAL DETECTOR**



Printed: JULY 1976  
© Hewlett Packard Co. 1976

HEWLETT  PACKARD

HP 423A  
HP 8470A

## 1. GENERAL INFORMATION

2. This manual contains operating instructions for the Hewlett-Packard Model 423A and 8470A Crystal Detectors. Included in the manual is the information required to install and test the crystal detectors.

3. On the rear cover of this manual, below the manual part number, is a "Microfiche", part number. This number may be used to order a 4 x 6-inch microfilm transparency of the manual.

## 4. Specifications

5. Instrument specifications are listed in Table 1. These specifications are the performance standards, or limits against which the instrument may be tested.

## 6. Description

7. The Hewlett-Packard Model 423A and 8470A Crystal Detectors are 50 $\Omega$  (nominal) devices designed for measurement use in coaxial systems. The instruments convert RF power levels applied to the 50 $\Omega$  input connector into proportional values of dc voltage. The instruments measure relative power up to 100 mW and have a BNC female connector for the output jack which allows the detected output to be connected to a SWR meter. The output voltage polarity is negative, unless Option 003 is selected. The frequency range of the 423A is 10 MHz to 12.4 GHz. The 8470A's frequency range extends from 10 MHz to 18 GHz.

## 8. Options

9. The 423A and 8470A Crystal Detectors are available with the following options (see Table 1 for further descriptions):

- Option 001: Matched pair of detectors
- Option 002: Furnished with matched load resistor (HP 11523A) for optimum square law characteristics
- Option 003: Positive polarity output
- Option 012: Furnished with stainless steel type N male connectors (8470A only).
- Option 013: Furnished with stainless steel type N female connectors (8470A only).

## 10. INSTALLATION

### 11. Initial Inspection

12. Inspect the shipping container for damage. If the shipping container or cushioning material is damaged, it should be kept until the contents of the shipment have been checked for completeness and the instrument has been checked mechanically and electrically.

13. The procedures for checking electrical performance are given under PERFORMANCE TESTS. If the contents are incomplete, if there is mechanical damage or defect, or if the instrument does not pass the electrical performance test, notify the nearest Hewlett-Packard office. If the shipping container is damaged, or the cushioning material shows signs of stress, notify the carrier as well as the Hewlett-Packard office. Keep the shipping materials for the carrier's inspection. The HP office will arrange for repair or replacement at HP's option without waiting for claim settlement.

### 14. Mating Connectors

15. The 8470A (standard) RF input connector must be an APC-7 type connector. The mating RF input connectors used with the 423A and 8470A Option 012 must be Type N female connectors which comply with U.S. military standard MIL-C-39012. The mating RF input connector used with the 8470A Option 013 must be Type N male connector which complies with MIL-C-39012.

### 16. Operating Environment

17. The operating environment of the crystal detectors should be within the following limitations:

- a. Temperature: 0° to +55° C
- b. Altitude: <4572 metres (15,000 feet)
- c. Humidity: <95% relative.

## 18. STORAGE AND SHIPMENT

19. **Environment.** The instrument should be stored in a clean, dry environment. The following environmental limitations apply to both storage and shipment:

- a. Temperature: -20° C to +55° C
- b. Altitude: <7620 metres (25,000 feet)
- c. Humidity: <95% relative.

Table 1. Specifications

<p><b>Frequency Range:</b>            423A: 10 MHz to 12.4 GHz            8470A: 10 MHz to 18 GHz</p> <p><b>NOTE</b>  <i>RF may leak through the output connector, especially below 1 GHz. It can be reduced, if objectionable, with a suitable low pass filter.</i></p> <p><b>Frequency Response:<sup>1</sup></b>            423A: <math>\pm 0.2</math> dB over any octave            10 MHz to 8 GHz; <math>\pm 0.5</math> dB            10 MHz to 12.4 GHz.            8470A: <math>\pm 0.2</math> dB over any octave            10 MHz to 8 GHz; <math>\pm 0.5</math> dB            10 MHz to 12.4 GHz; <math>\pm 1.0</math> dB            10 MHz to 18 GHz.</p> <p><b>Maximum Operating Input Power:</b> 100 mW, peak or average.</p> <p><b>Maximum Short Term Input Power:</b> 100 mW (typical) peak or average for <math>&lt; 1</math> minute.</p> <p><b>Sensitivity at 25°C:</b>            High Level: <math>&lt; 0.35</math> mW produces 100 mV output.            Low Level: <math>&gt; 0.4</math> mVdc/<math>\mu</math>W CW.            Output decreases with increasing temperature.            Typically 0.015 dB/°C from 0°C to 55°C.</p> <p><b>SWR:</b>            423A and 8470A: 10 MHz to 4.5 GHz, 1.20;            4.5 GHz to 7.0 GHz, 1.35; 7.0 GHz to 12.4 GHz, 1.50.            8470A: 12.4 GHz to 18.0 GHz, 1.70.</p> <p><b>Input Impedance:</b> 50<math>\Omega</math> (nominal)</p> <p><b>Output Impedance:</b> <math>&lt; 15</math> k<math>\Omega</math> shunted by 10 pF.</p> <p><b>Output Polarity:</b> Negative (refer to options for positive polarity units).</p> <p><b>Detector Element:</b> Supplied (refer to Table 2 for replacement assemblies).</p> <p><b>Bias:</b> Not required.</p> <p><b>Noise:</b> <math>&lt; 200</math> <math>\mu</math>V p-p, with CW applied to produce 100 mVdc output.</p> <p><sup>1</sup> As read on a meter calibrated for square-law detectors (such as HF 415E SWR Meter).</p>	<p><b>Options:</b>            423A:            Option 001: Matched pair. Frequency response characteristics (exclusive of basic sensitivity) track within <math>\pm 0.2</math> dB over any octave from 10 MHz to 8 GHz, <math>\pm 0.3</math> dB from 8 to 12.4 GHz.            Option 002: Furnished with matched load resistor (11523A) for optimum square law characteristics at 24°C (75°F), <math>&lt; \pm 0.5</math> dB variation from square law over a range of at least 30 dB up to 50 mV peak output working into an external load <math>&gt; 75</math> k<math>\Omega</math>. Sensitivity typically <math>&gt; 0.1</math> mV/<math>\mu</math>W when load resistor is used. Overall length 144 mm (4.5 in.).            Option 003: Positive polarity output.</p> <p>8470A:            Option 001: Matched pair. Frequency response characteristics (exclusive of basic sensitivity) track within <math>\pm 0.2</math> dB over any octave from 10 MHz to 8 GHz, <math>\pm 0.3</math> dB from 8 to 12.4 GHz, <math>\pm 0.6</math> dB from 12.4 to 18 GHz.            Option 002: Furnished with matched load resistor (11523A) for optimum square law characteristics at 24°C (75°F), <math>&lt; \pm 0.5</math> dB variation from square law over a range of at least 30 dB up to 50 mV peak output working into an external load <math>&gt; 75</math> k<math>\Omega</math>. Sensitivity typically <math>&gt; 0.1</math> mV/<math>\mu</math>W when load resistor is used. Overall length 144 mm (4.5 in.).            Option 003: Positive polarity output.            Option 012: Furnished with stainless steel type N male connector.            Option 013: Furnished with stainless steel type N female connector.</p> <p><b>General:</b>            Weight: Net 114 g (4 oz.) 423A and 8470A            Dimensions:            423A: 63 mm long, 20 mm diameter (2.46 in. long, 0.78 in. diameter).            8470A: 64 mm long, 19 mm diameter (2.50 in. long, 0.75 in. diameter).</p>
--	---

20. **Original Packaging.** Containers and materials identical to those used in factory packaging are available through Hewlett-Packard offices. If the instrument is being returned to Hewlett-Packard for servicing, attach a tag indicating the type of service required, return address, model number, and serial number. Also, mark the container FRA-GILE to assure careful handling. In any correspondence, refer to the instrument by model number and serial number.

## 21. OPERATION

### CAUTION

Static discharge can damage the detector element. A 100 pF capacitor (1.2 m[4 ft.] of coax cable) charged to 14 volts stores 0.1 erg, the maximum pulse rating of the detector element. Connect cables to test equipment and discharge the center conductor before connecting to the detector.

**DO NOT NEEDLESSLY HANDLE DETECTOR ELEMENT USED IN CRYSTAL DETECTOR.** Static electricity which builds up on a person, especially on a cold dry day, must never be allowed to discharge through the crystal detector. Avoid exposed leads to or from the crystal detector, since these are often touched accidentally.

## 22. Operating Information

23. The crystal detector can be used as a demodulator to obtain a pulse envelope which can then be observed on an oscilloscope. It can also be used as a general purpose detector.

24. When using the crystal detector with an oscilloscope, and the waveshapes to be observed have rise times of less than  $5 \mu\text{s}$ , the coaxial cable connecting oscilloscope and detector should be as short as possible and shunted with a resistor. Ideally, this resistor should be  $50 \Omega$  to terminate the coaxial cable properly. However, with  $50 \Omega$  resistance, the output video pulse may be too small to drive some oscilloscopes. Therefore, the cable should be shunted with the smallest value of resistance that will obtain suitable deflection on the oscilloscope; typically the value will lie between  $50 \Omega$  and  $2 \text{ k}\Omega$ . The larger the resistance the more

degradation of rise time.

25. The power applied to the detector can be either modulated or continuous wave (CW). If modulated at a 1000 Hz rate, an SWR meter can be used as an indicator. For CW detection, a dc milliammeter or millivoltmeter can be used as the indicator.

## 26. Operator's Checks

27. **Peak Power Measurement.** The arrangement of equipment for peak power measurement is shown in Figure 1. The procedure involves calibration of an oscilloscope which, in turn, is used to calibrate a CW generator. The output of the calibrated CW generator is measure with a power meter; the peak power of a pulse is thereby measured. The procedure is as follows:

- Connect equipment as shown in Figure 1, step a. Observe pulse on a dc-coupled oscilloscope. Using a marking pencil, mark on the graticule the base-to-peak amplitude of the pulse envelope.
- Replace the pulse source with a CW generator. While observing the oscilloscope trace, adjust amplitude of CW generator output to make detector's output equal to that of pulse generator, as indicated by markings on graticule (step a).
- Leave CW generator at setting obtained in step b. Disconnect detector from CW generator.

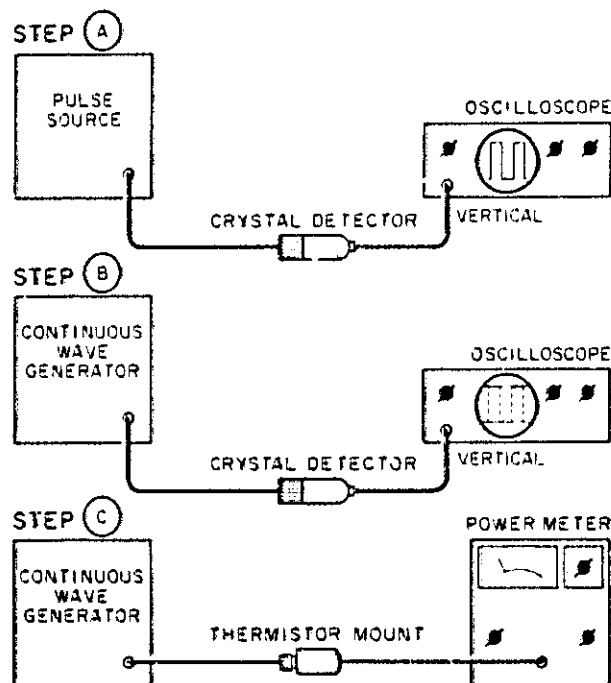


Figure 1. Peak Power Measurement

Connect output of CW generator to power meter. Measure adjusted levels (set in step b) of CW generator output. The peak power of the pulse envelope observed in step a is equal to the output power of the CW generator.

**28. Reflectometer Application.** For information about reflectometer systems and measurements, see HP Application Note Index, copies of which are available upon request.

**29. Harmonic Frequency Comparison Measurement Application.** The detector can be used as a mixer in harmonic-frequency comparison measurements (see HP Application Note Index for further information).

### 30. PERFORMANCE TESTS

**31.** The following paragraphs suggest methods to use for testing detector specifications. For these tests refer to the manuals of the equipment involved for operating instructions.

#### 32. Frequency Response Test

a. Using signal sources covering 10 MHz to 13 GHz with a 10 dB isolating attenuator and a power meter, connect power sensor to attenuator. Adjust RF power level to -20 dBm input to power sensor.

b. Without changing RF power level of signal source, disconnect power sensor.

c. Connect detector to attenuator. Measure dc voltage output from detector and record measurement.

d. Change frequency of signal source and repeat steps a through c.

e. Since the detector follows a square-law response at this power level, its output is proportional to power ( $P_{dB} = 10 \log V_o$ ). Total variation of detector readings should meet specifications (see Table 1) for all frequencies of interest across the band.

#### NOTE

*Multiple mismatch errors caused by attenuator SWR, power meter SWR, and detector SWR should be taken into account, as well as the accuracy of the indicator used to measure the detector's output.*

#### 33. High Level Sensitivity Test

a. Using signal sources covering 10 MHz to 18 GHz and a dc voltmeter or oscilloscope as the indicator, connect detector to signal source. Adjust RF power level for a 100 mV detected output from detector.

b. Disconnect detector from signal source and measure RF output level. The RF output level should be  $\leq 0.35$  mW.

c. Repeat steps a and b for all frequencies of interest across the band.

#### 34. Low Level Sensitivity Test

a. Using a signal source (covering 100 MHz to 1 GHz), a 10 dB attenuator, and a power meter, connect attenuator to signal source and power sensor to attenuator. Adjust RF power level for -20 dBm output from attenuator. Verify the ambient temperature.

b. Disconnect power sensor from attenuator and connect detector. Measure dc voltage output from detector. The output should be  $> 1.0$  mV at 25°C. The sensitivity slope is typically  $-0.015$  dB/°C from 0°C to +55°C.

#### NOTE

*Multiple mismatch errors caused by attenuator SWR, power meter SWR, and detector SWR should be taken into account, as well as accuracy of indicator used to measure detector's output.*

#### 35. Match Test (SWR)

**36.** To verify the detector's SWR specifications, use any system whose measurement accuracies for SWR (residual SWR) are known.

### 37. ADJUSTMENTS

**38.** The detectors have no internal adjustments.

### 39. REPLACEABLE PARTS

**40.** The succeeding paragraphs contain information pertaining to replaceable parts (see Table 2) and the ordering of replaceable parts for the Models 423A, 8470A, and 11523A.

**41.** To order a replacement part, address order or inquiry to the nearest Hewlett-Packard office (see

list in back of manual.) Include the following information for each part: model number, Hewlett-Packard part number, and description.

#### 42. SERVICE

43. The succeeding paragraphs give instructions for repair of the Model 423A and 8470A Crystal Detectors and the Option 002 Load Resistor, Model 11523A. Additional maintenance information can be obtained from the local Hewlett-Packard office. Part numbers for replaceable parts are given in Table 2.

#### 44. Detector Element Replacement

45. The detector element assembly includes only a detector element, unless an Option 002 is ordered, then a replacement load resistor for the 11523A is included. The resistor is to load the diode for square-law operation.

#### CAUTION

*The special detector element (see Figure 4) contained in the detector can be damaged in handling, removal, or installation if certain precautions are not taken. Then handling precautions which follow should be read before performance of any operation with the detector element when it is out of either the housing or the detector element shipping container.*

a. Before installing diode into mount, touch exposed metal on mount with your hand to discharge static electricity. Then insert diode into mount.

b. When handing diode to another person, touch hands first to ensure there is no difference in static electricity potential between you.

c. Ohmmeters should not be used to measure forward- and back-resistance since it is easy to damage these diodes. The difficulty arises because of the ohmmeter's open-circuit voltages and short-circuit currents.

#### 46. Replacing Detector Element

47. Parts mentioned in the following procedure are identified in Figure 4.

a. Remove connector cap from body. To

remove connector cap, use a pair of gas pliers with plastic teeth or protect body with heavy paper or tape.

b. Remove old detector element, capsule spacer, and capacitive washer, and discard them.

c. Install the new capacitive washer, capsule spacer, and detector element. Install the washer first, the spacer with its polyiron side against the washer. Finally, install the detector element by inserting the resistive end into the center contact inside the detector body.

#### CAUTION

*When inserting the detector element, do not force the tip (resistive end) into the center conductor in the body as the fingers of the center conductor might be damaged, if the detector element is not centered.*

d. Replace connector cap and **TIGHTEN FIRMLY.**

#### NOTE

The Option 002 Detector Element Assembly includes a detector element and a resistor. The resistor is for use in the Model 11523A and must be installed to match it to the detector.

#### 48. Replacement of Load Resistor (11523A) Parts

49. Parts mentioned in the following procedure are identified in Figures 2 and 3.

#### 50. Replacing Male BNC Connector

a. Remove male BNC connector and lock washer from housing. To remove BNC connector, use a 3/8-inch open-end wrench and hold the housing either in a vise or with pliers. Before using the vise or pliers, protect the housing of the 11523A with material such as heavy paper or tape or use plastic jaws on the vise or pliers.

b. Unsolder resistor.

c. Solder resistor to new BNC connector.

d. Let resistor cool and then check resistance from male BNC pin through resistor; resistance measured should be  $\pm 10\%$  that indicated by the color coding.

e. Replace lockwasher and male BNC connector.

**51. Replacing Female BNC Connector**

a. Remove female BNC connector. To remove or install BNC connector, use a BNC wrench or use a male BNC connector as a wrench to prevent damage to the connector.

b. Unsolder contact spring.

c. Prepare replacement female BNC connector:

- (1) Cut center conductor lead to approximately 0.79 mm (1/32 in.)
- (2) With flat file, smooth end of lead; remove burr with tweezers or similar metal instrument.

d. Slip contact spring over center conductor lead, and solder.

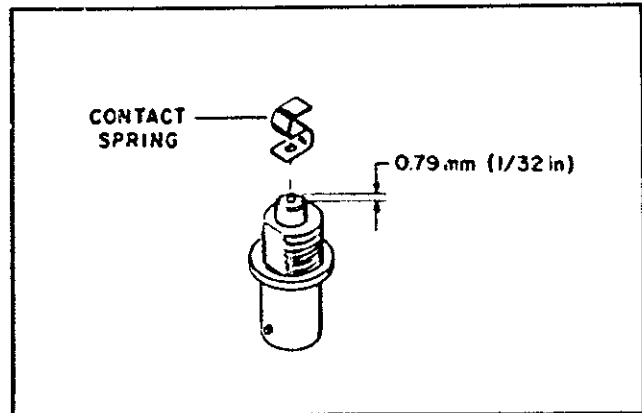
**CAUTION**

*Use solder sparingly or it will creep back on spring. Solder on spring destroys its usefulness and is difficult to remove.*

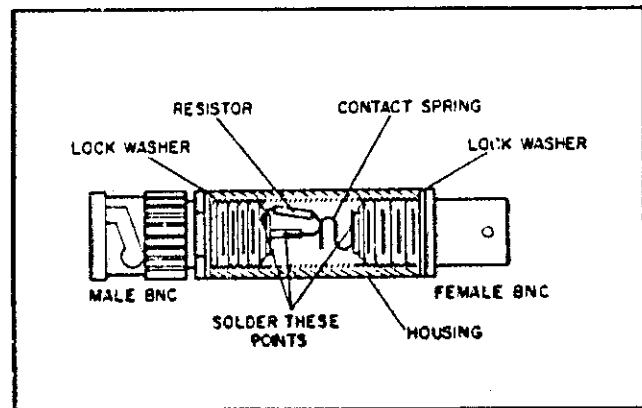
e. Let contact spring cool and then screw connector into mount.

**52. Replacement of APC-7 Connector Center Contact**

53. The replacement procedure for the APC-7 connector center contact is covered in Figure 5.



**Figure 2. Cutting Center Conductor Lead to Accommodate Contact Spring**



**Figure 3. Model 11523A Load Resistor, Cutaway View**

The disassembly and assembly instructions for the APC-7 connector is covered in Figure 6.

**54. Type N Connector Dimensions**

55. The critical dimensions for the type N connector are covered in Figure 7.

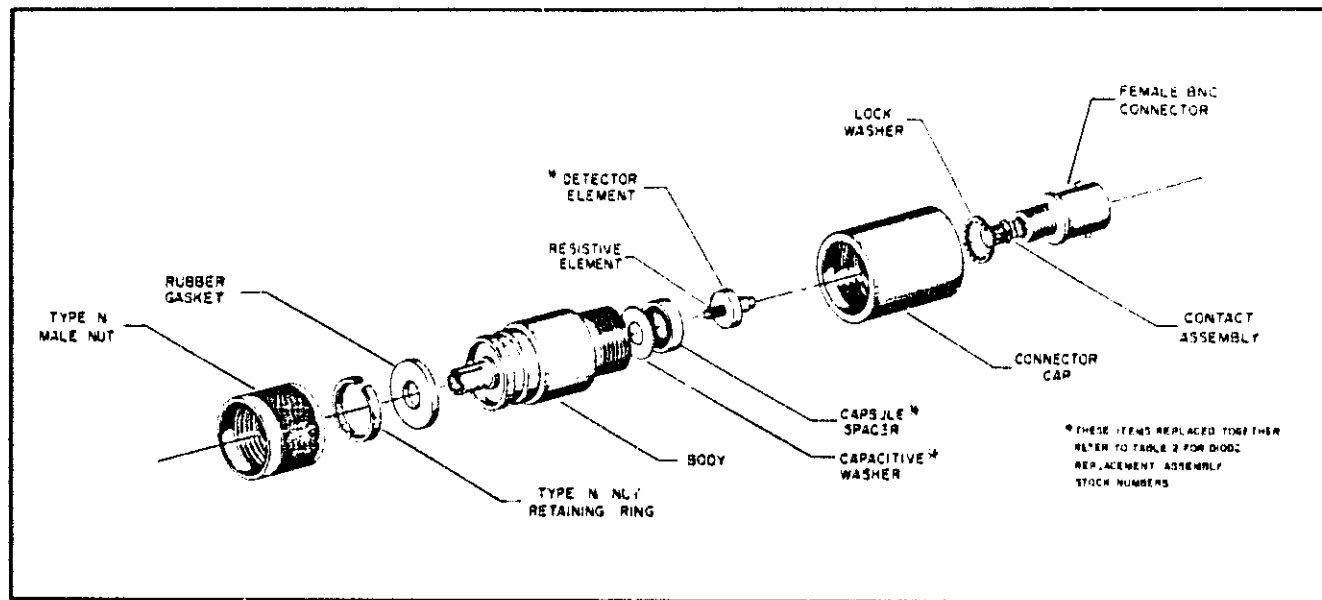
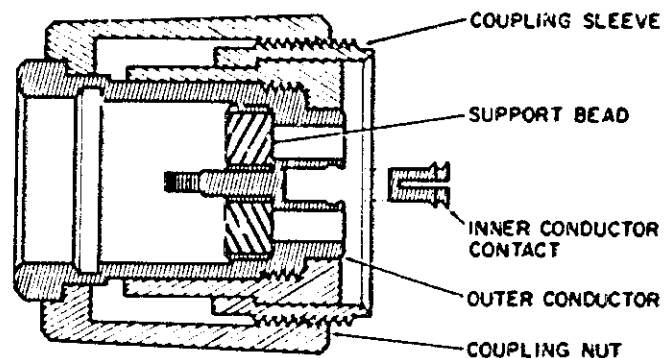


Figure 4. HP Model 423A Crystal Detector Assembly

#### REPLACING AMPHENOL APC-7 CENTER CONTACT

Through wear or damage the contact in the center conductor may need replacing. This contact is a small four-pronged collet which snaps into a recess in the center conductor. This contact is normally held in by the spring-action of the four prongs. With a magnifying glass, examine this contact to determine if it needs replacement. **DO NOT REMOVE THIS CONTACT FOR INSPECTION** (it may be damaged by removal). The contact should be free of burrs or wear and the prongs should be equally spaced. If the contact is removed, do **NOT** re-use it (it may be damaged by removal). This contact is Amphenol\* part number 131-129 and HP 1250-0907. If this contact needs replacement and a new contact is available, proceed as follows:

1. Place the instrument so the connector faces down, if possible.
2. Tap the connector lightly and the contact should now protrude slightly. Insert the centering pin of the Hewlett-Packard collet remover, Part Number 5060-0236, with the jaws open.
3. Allow the jaws on the tool used to close and pull straight back from the connector without twisting. The contact should come with the tool. If not, repeat the process. **Do NOT** re-use the contact.



4. Snap in a new contact by pushing a new contact in place. Test the action of the new contact by pushing in on it. It should spring out again when released.

(Amphenol\* Part Number 131-129; HP Part Number 1250-0907.)

\*Amphenol RF Division, Danbury, Conn.

Figure 5. APC-7 Connector

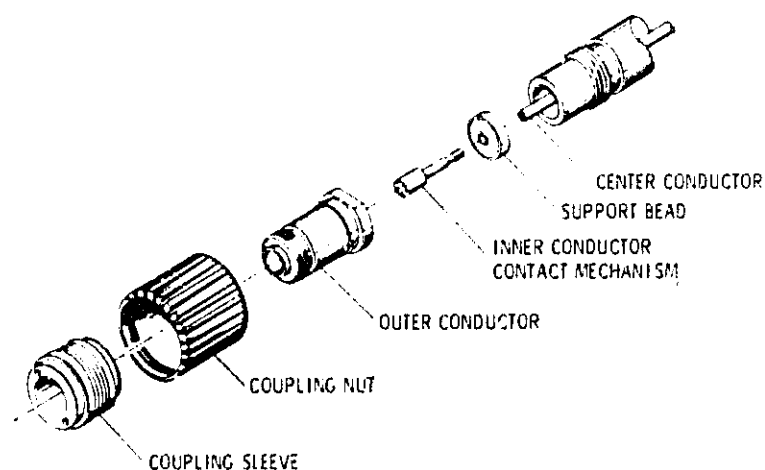
**PARTS**

**LIST**

Table 2. Replaceable Parts, Models 423A, 8470A, and 11523A

Description	Stock No.	Description	Stock No.
<b>423A Assembly</b>		<b>8470A APC-7 Connector Assembly (Cont'd)</b>	
Connector, Female BNC	1250-0251	Tools: <sup>2</sup>	
Connector, Cap	5020-0210	APC-7 Contact Extractor	5060-0236
Connector Assembly, Female BNC, including contact assembly	00-123-600	APC-7 Spanner Wrench	5060-0237
Body Assembly, 423A	00-123-601	Open-end Wrench	8710-0877
Includes the following:		<b>8470A Assembly</b>	
Type N Male Connector Outer Conductor	1250-0014	Resistor, Tubular	0727-1033
Type N Male Nut Rubber Gasket	1250-0015	Ring, RF Connector (Opt 012)	1250-0016
Type N Nut Retaining Ring	1250-0016	Connector, Female BNC	1250-0251
Type N Male Nut	1250-0918	Connector, RF APC-N Female (Opt 013)	1250-0914
Type N Male Connector Bead	5020-0207	Contact, RF Connector Female (Opt 013)	1250-0915
Type N Male Connector Center Conductor	00-123-201	Connector, RF APC-N Male (Opt 012)	1250-0916
Body, Crystal Mount	00-123-202	Contact, RF Connector Male (Opt 012)	1250-0917
<b>423A Diode Replacement Assemblies<sup>1</sup></b>		Nut, RF Connector (Opt 012)	1250-0918
Single Diode Negative Polarity	00-123-802	Washer, Lock, Internal	2190-0016
Single Diode Positive Polarity (Opt 003)	00-123-803	Contact, Spring	5000-0234
Single Diode Negative Polarity with Matching Load Resistor (Opt 002)	00-123-800	Cap, Connector	5020-0210
Single Diode Positive Polarity with Matching Load Resistor (Opt 002 and 003)	00-123-801	Insulator	5040-0306
Matched Pair Diodes Negative Polarity (Opt 001)	00-123-605	Washer, Compression	08-170-0001
Matched Pair Diodes Positive Polarity (Opt 001, 003)	00-123-606	Washer, Fiber	08-170-0002
Matched Pair Diodes with Load Resistor Negative Polarity (Opt 001, 002)	00-123-603	Body, Crystal Mount	08-170-2000
Matched Pair Diode with Load Resistor Positive Polarity (Opt 001, 002, and 003)	00-123-604	Conductor, Center	08-170-2001
<b>11523A Load Resistor Assembly<sup>1</sup></b>		<b>8470A Diode Replacement Assemblies<sup>1</sup></b>	
Connector, Male BNC	1250-0045	Single Diode Negative Polarity	08-170-6001
Connector, Female BNC	1250-0251	Single Diode Positive Polarity (Opt 003)	08-170-6002
Spring, Contact	5000-0234	Single Diode Negative Polarity with Matching Load Resistor (Opt 002)	08-170-6003
Housing	5020-3215	Single Diode Positive Polarity with Matching Load Resistor (Opt 002, 003)	08-170-6004
<b>8470A APC-7 Connector Assembly</b>		Matched Pair Diodes Negative Polarity (Opt 001)	08-170-6005
Inner Conductor Contact Mechanism (assembled contact and outer body)	1259-0816	Matched Pair Diodes Positive Polarity (Opt 001, 003)	08-170-6006
Coupling Sleeve	1250-0820	Matched Pair Diodes with Load Resistor Negative Polarity (Opt 001, 002)	08-170-6007
Inner Conductor Contact	1250-0907	Matched Pair Diode with Load Resistor Positive Polarity (Opt 001, 002, and 003)	08-170-6008
Outer Conductor	1250-1183		
Coupling Nut	1250-1465		
Support Bead	5040-0306		

<sup>1</sup> Refer to Table 1 for description of options.<sup>2</sup> Part of IIP Model 115917, APC-7 Connector Tool Kit.



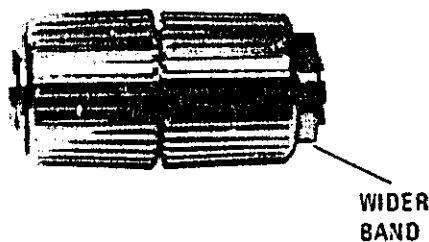
### USE

#### To Connect:

1. On one connector, retract the coupling sleeve by turning the coupling nut counterclockwise until the sleeve and nut disengage.
2. On the other connector, fully extend the coupling sleeve by turning the coupling nut clockwise. To engage coupling sleeve and coupling nut when the sleeve is fully retracted, press back lightly on the nut while turning it clockwise.
3. Push the connectors firmly together, and thread the coupling nut of the connector with retracted sleeve over the extended sleeve.
4. Close the gap between coupling nuts with the nut on the extended-sleeve connector.

#### To Disconnect:

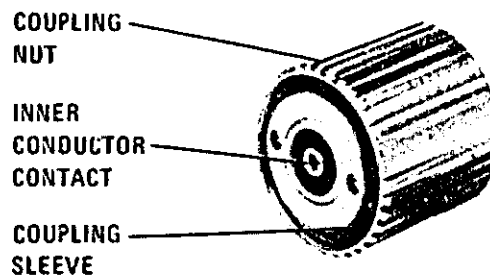
1. Loosen the coupling nut of the connector showing the wider gold band.



2. **IMPORTANT:** Part the connectors carefully to prevent striking the inner conductor contact.

### CARE

1. Keep contacting surfaces smooth and clean. Irregularities and foreign particles can degrade electrical performance.



2. Protect the contacting surfaces when the connector is not in use by leaving the coupling sleeve extended.
3. Use lintless material and/or firm-bristled brush such as a tooth brush for cleaning. If a cleaning fluid is needed use isopropyl alcohol. **IMPORTANT:** Do not use aromatic or chlorinated hydrocarbons, esters, ethers, terpenes, higher alcohols, ketones, or ether-alcohols such as benzene, toluene, turpentine, dioxane, gasoline, cellosolve acetate, or carbon tetrachloride. Keep exposure of the connector parts to both the cleaning fluid and its vapors as brief as possible.

Figure 6. APC-7 Connectors

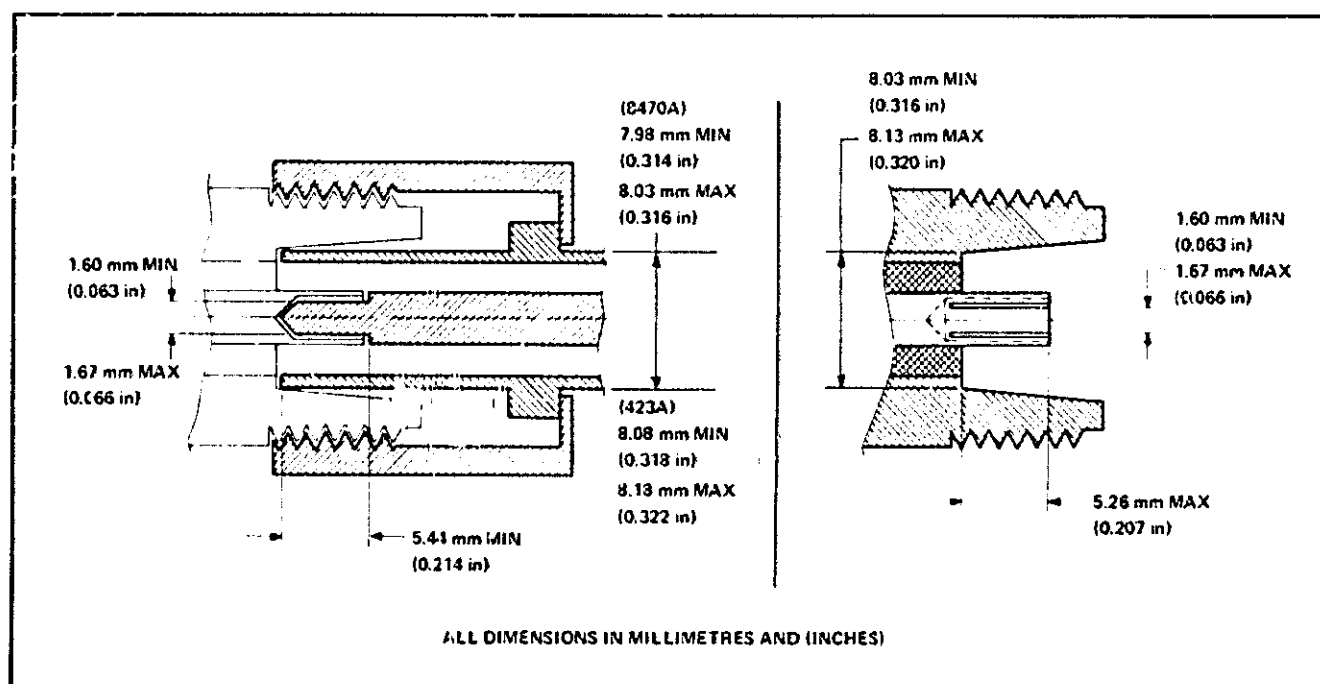


Figure 7. Type N Connector Dimensions

## CERTIFICATION

*The Hewlett-Packard Company certifies that this instrument met its published specifications at the time of shipment from the factory. Hewlett-Packard Company further certifies that its calibration measurements are traceable to the United States National Bureau of Standards, to the extent allowed by the Bureau's calibration facility, and to the calibration facilities of other International Standards Organization members.*

## WARRANTY AND ASSISTANCE

This Hewlett-Packard product is warranted against defects in materials and workmanship for a period of one year from the date of shipment. Hewlett-Packard will, at its option, repair or replace products which prove to be defective during the warranty period provided they are returned to Hewlett-Packard, and provided the preventive maintenance procedures in the manual are followed. Repairs necessitated by misuse of the product are not covered by this warranty. **NO OTHER WARRANTIES ARE EXPRESSED OR IMPLIED, INCLUDING, BUT NOT LIMITED TO, THE IMPLIED WARRANTIES OF MERCHANTABILITY AND FITNESS FOR A PARTICULAR PURPOSE. HEWLETT-PACKARD IS NOT LIABLE FOR CONSEQUENTIAL DAMAGES.**

Service contracts or customer assistance agreements are available for Hewlett-Packard products.

For any assistance, contact your nearest Hewlett-Packard Sales and Service Office. Addresses are provided at the back of this manual.



# SALES & SERVICE OFFICES AFRICA, ASIA, AUSTRALIA

## AMERICAN SAMOA

Calculators Only  
Oceanic Systems Inc  
P.O. Box 777  
Pago Pago Bayfront Road  
Pago Pago 96799  
Tel: 633-5313  
Cable: OCEANIC-Pago Pago

## ANGOLA

Telebra  
Empresa Técnica de  
Equipamentos  
Elétricos, S.A. R.L.  
R. Barbosa Rodrigues, 42-POT  
Luanda  
Tel: 35315/6  
Cable: TELEBRA Luanda

## AUSTRALIA

Hewlett-Packard Australia  
Pty. Ltd.  
31-41 Joseph Street  
Blackburn, Victoria 3130  
P.O. Box 36  
Doncaster East, Victoria 3109  
Tel: 89-8357  
Tel: 31-024  
Cable: HEPPARD Melbourne

Hewlett-Packard Australia  
Pty. Ltd.  
31 Bridge Street  
Pymble  
New South Wales, 2073  
Tel: 649-8586  
Tel: 21561  
Cable: HEPPARD Sydney

Hewlett-Packard Australia  
Pty. Ltd.  
153 Greenhill Road  
Perth, WA 6003, S.A.  
Tel: 272-5911  
Tel: 82536 ADEL  
Cable: HEPPARD ADELAIDE

Hewlett-Packard Australia  
Pty. Ltd.  
141 Stirling Highway  
Medlands, W.A. 6009  
Tel: 86-5453  
Tel: 93859 PERTH  
Cable: HEPPARD PERTH

Hewlett-Packard Australia  
Pty. Ltd.  
121 Wollongong Street  
Fremont, A.C.T. 2609  
Tel: 65-1-33  
Tel: 6250 CANBERRA  
Cable: HEPPARD CANBERRA

Hewlett-Packard Australia  
Pty. Ltd.  
5th Floor  
Teachers Union Building,  
495-499 Boundary Street  
Spring Hill, 4000 Queensland  
Tel: 29-1544  
Tel: 42133 BRISBANE

## GUAM

Medical Pocket Calculators Only  
Guam Medical Supply, Inc.  
Jay East Building, Room 210  
P.O. Box 8947  
Tamuning 96911  
Tel: 646-4513  
Cable: EARNED Guam

## HONG KONG

KONG KONG  
Schmidt & Co (Hong Kong) Ltd  
P.O. Box 297  
Central Post Centre  
20th Floor  
Connaught Road, Central  
Hong Kong  
Tel: N-25521-5  
Tel: 74766 SHMCO HK  
Cable: SCHMIDTCO Hong Kong

## INDIA

Blue Star Ltd  
Kashin Building  
Jamaica 12a Rd  
Bombay 400 020  
Tel: 29 50 21  
Tel: 2156  
Cable: BLUESTAR

Blue Star Ltd  
Sana  
414-2 VV Savarkar Marg  
Prabhadevi  
Bombay 400 025  
Tel: 45 23 01  
Tel: 3751  
Cable: BLUESTAR

Blue Star Ltd  
14-40 Civil Lines  
Kanpur 208 001  
Tel: 8 88 62  
Tel: 292  
Cable: BLUESTAR

Blue Star Ltd  
7 Main Street  
P.O. Box 504  
Calcutta 700 001  
Tel: 23 01 31  
Tel: 7855  
Cable: BLUESTAR

Blue Star Ltd  
7th & 8th Floor  
Bhandari House  
91 Naray Place  
New Delhi 110024  
Tel: 634770 & 635166  
Tel: 2483  
Cable: BLUESTAR

Blue Star Ltd  
11/11A, Astor Road  
Bangalore 560 023  
Tel: 55661  
Tel: 430  
Cable: BLUESTAR

Blue Star Ltd  
Mesakri Mandirani  
15/16/18 Mahama Ganchi Rd  
Cochin 682 016 Kerala  
Tel: 32089, 32161, 32282  
Tel: 046-514  
Cable: BLUESTAR

Blue Star Ltd  
1-F-11/71  
Sargam Devi Road  
Secunderabad 500 003  
Tel: 70126, 70127  
Tel: 0292-25-7470  
Cable: BLUEFROST

Blue Star Ltd  
1348-J, Asancho 1-chome  
Atsugi, Kanagawa 243  
Tel: 0462 24-0452  
Cable: BLUESTAR

Blue Star Ltd  
Nathia Mansions  
2nd Floor Bistapur  
Jamaiahpudur 831 001  
Tel: 7383  
Tel: 240  
Cable: BLUESTAR

Blue Star Ltd  
Sana  
414-2 VV Savarkar Marg  
Prabhadevi  
Bombay 400 025  
Tel: 45 23 01  
Tel: 3751  
Cable: BLUESTAR

Blue Star Ltd  
14-40 Civil Lines  
Kanpur 208 001  
Tel: 8 88 62  
Tel: 292  
Cable: BLUESTAR

Blue Star Ltd  
7 Main Street  
P.O. Box 504  
Calcutta 700 001  
Tel: 23 01 31  
Tel: 7855  
Cable: BLUESTAR

Blue Star Ltd  
7th & 8th Floor  
Bhandari House  
91 Naray Place  
New Delhi 110024  
Tel: 634770 & 635166  
Tel: 2483  
Cable: BLUESTAR

Blue Star Ltd  
11/11A, Astor Road  
Bangalore 560 023  
Tel: 55661  
Tel: 430  
Cable: BLUESTAR

Yokogawa-Hewlett-Packard Ltd  
Tangway Building  
2-24-1 Tsurya-cho  
Kanagawa-ku  
Yokohama 221  
Tel: 045-312-1252  
Tel: 382-3204 YHP YOK

Yokogawa-Hewlett-Packard Ltd  
Mitsui Building  
105, 1-chome, Sanno-maru  
Mito, Ibaraki 310  
Tel: 0292-25-7470  
Yokogawa-Hewlett-Packard Ltd  
Inoue Building  
1348-J, Asancho 1-chome  
Atsugi, Kanagawa 243  
Tel: 0462 24-0452

Yokogawa-Hewlett-Packard Ltd  
Inoue Building  
1348-J, Asancho 1-chome  
Atsugi, Kanagawa 243  
Tel: 0462 24-0452  
Cable: BLUESTAR

Yokogawa-Hewlett-Packard Ltd  
Kuruma Building  
79 Carlton Gore Rd., Newmarket  
3rd Floor 20  
2-chome, Tsukuba  
Tsukuba, Ibaraki 305  
Tel: 0485-24-6563

Kenya  
Technical Engineering Services  
T.E.S. Ltd  
P.O. Box 13311  
Nairobi  
Tel: 557 26 556762  
Cable: PROTON

Kenya  
Medical Only  
International Aeradio (E.A.) Ltd.  
P.O. Box 19012  
Nairobi Airport  
Nairobi  
Tel: 336555-56  
Tel: 22001, 22301

Korea  
Samsung Electronics Co., Ltd  
20th Fl. Dongbang Bldg 250,  
2 KA, C.P.O. Box 2775  
Tongyeong-Ro, Chung-Au  
Seoul  
Tel: (24) 2410-9  
Tel: 22573

Malaysia  
Tehmi Kuu Son, Bhd  
2 Lorong 13/6A  
Section 13  
Pusat Jaya Selangor  
Tel: Kuala Lumpur 54994  
Tel: MA 37603  
Prom Engineering  
P.O. Box 197  
Lot 259, Serok Road  
Kuching, Sarawak  
Tel: 2400

Mozambique  
S. N. Gonçalves, Lda  
182, 7.º And. 14 Av. D Luis  
Cairo Postal 107  
Lourenço Marques  
Tel: 27091, 27114  
Tel: 3 203 Neçon Mo

## NEW ZEALAND

Hewlett-Packard (N.Z.) Ltd  
4-12 Cavendish Street  
Kilbirnie, Wellington 3  
Mailing Address: Hewlett-Packard  
(N.Z.) Ltd  
P.O. Box 9443  
Wellington  
Tel: 877-1993  
Tel: 87-3839  
Cable: HEPPACK Wellington

Hewlett-Packard (N.Z.) Ltd  
Pakuranga Professional Centre  
267 Pakuranga Highway  
P.O. Box 51092  
Pakuranga  
Tel: 563-831  
Tel: 87-3839  
Cable: HEPPACK Auckland

Hewlett-Packard (N.Z.) Ltd  
P.O. Box 1234  
Auckland  
Tel: 75-785  
Tel: 2956 MEDISUP  
Cable: DENTAL Auckland

Hewlett-Packard (N.Z.) Ltd  
P.O. Box 1994  
147-161 Tony St  
Wellington  
Tel: 851-795  
Tel: 3558  
Cable: DENTAL Wellington

Hewlett-Packard (N.Z.) Ltd  
P.O. Box 309  
239 Stanmore Road  
Christchurch  
Tel: 822-013  
Cable: DENTAL Christchurch

Hewlett-Packard (N.Z.) Ltd  
P.O. Box 233  
Dunedin  
Tel: 88-817  
Cable: DENTAL Dunedin

Nigeria  
The Electronics  
Instrumentation Ltd  
45B, 773 Oyo Road  
Clusean House  
P.M.B. 5402  
Lagos  
Tel: 61577  
Tel: 31231 TEL NIGERIA  
Cable: THETEL Lagos

Nigeria  
The Electronics Instrumentation  
Ltd  
144 Agip Motor Road, Mushin  
P.O. Box 5645  
Lagos  
Cable: THETEL Lagos

Nigeria  
The Electronics Instrumentation  
Ltd  
144 Agip Motor Road, Mushin  
P.O. Box 5645  
Lagos  
Cable: THETEL Lagos

## PAKISTAN

Mushko & Company Ltd  
Osman Chambers  
Abdullah Haroon Road  
Karachi-3  
Tel: 311027 512927  
Tel: KR334  
Cable: COOPERATOR Karachi

Mushko & Company Ltd  
38B, Satellite Town  
Rawalpindi  
Tel: 41924  
Cable: FEMUS Rawalpindi

Philippines  
The Online Advanced Systems  
Corporation  
Fiscal Building  
11th Floor, Ayala Ave  
Makati, Manila  
Tel: 85-34-91, 85-35-81  
Tel: 3274 ONLINE

Rhodesia  
Field Technical Sales  
45 Kew Road North  
P.O. Box 3458  
Salisbury  
Tel: 703211 (5 lines)  
Tel: 4122

Singapore  
Hewlett-Packard Singapore  
(Pte) Ltd  
Bldg 2, 6th Floor, Jean  
Baker Mans  
Redhill Industrial Estate  
Alexandra P.O. Box 58,  
Singapore 3  
Tel: 833022  
Tel: HPSG RS 2146d  
Cable: HEPPACK Singapore

South Africa  
Hewlett-Packard South Africa  
(Pty) Ltd  
Private Bag Wendywood  
Sandton, Transvaal 2144  
Hewlett-Packard House  
Daonne Street, Wendywood,  
Sandton, Transvaal 2144  
Tel: 802-104019  
Tel: SA43-4752JH  
Cable: HEPPACK JOHANNESBURG

South Africa  
Hewlett-Packard South Africa  
(Pty) Ltd  
P.O. Box 120  
Howard Place, Cape Province 7450  
Pine Park Center, Forest Drive,  
Pinelands, Cape Province, 7405  
Tel: 53-7353 thru 9  
Tel: 57-0008  
Hewlett-Packard South Africa  
(Pty) Ltd  
P.O. Box 37099  
Overport, Durban 4087  
541 Ridge Road, Durban  
Durban, 4001  
Tel: 88-7478-9  
Tel: 8-7954  
Cable: HEPPACK

South Africa  
Hewlett-Packard South Africa  
(Pty) Ltd  
P.O. Box 37099  
Overport, Durban 4087  
541 Ridge Road, Durban  
Durban, 4001  
Tel: 88-7478-9  
Tel: 8-7954  
Cable: HEPPACK

South Africa  
Hewlett-Packard South Africa  
(Pty) Ltd  
P.O. Box 37099  
Overport, Durban 4087  
541 Ridge Road, Durban  
Durban, 4001  
Tel: 88-7478-9  
Tel: 8-7954  
Cable: HEPPACK

## TAIWAN

Hewlett-Packard Far East Ltd.  
Taiwan Branch  
39 Chung Shuan West Road  
Sec. 2, 7th Floor  
Taipei  
Tel: 3819604 (5 Lines)  
Tel: 21824 HEPPACK  
Cable: HEPPACK TAIPEI

Hewlett-Packard Far East Ltd.  
Taiwan Branch  
68-2 Chung Cheng 3rd Road  
Kaohsiung  
Tel: (07) 2423-1 & Kaohsiung  
Analytical Only  
San Kwang Instrument Co., Ltd.  
No. 29, Yung St.  
Taipei, 100  
Tel: 371571-1 (5 lines)  
Tel: 22994 SANWU  
Cable: SANWUANG TAIPEI

Tanzania  
Medical Only  
International Aeradio (E.A.) Ltd.  
P.O. Box 961  
Dar es Salaam  
Tel: 21251 Ext. 265  
Tel: 41020

Thailand  
UNIMESA Co., Ltd.  
Eicom Research Building  
Bangkok Sukumvit Ave  
Bangkok  
Tel: 302387, 93038  
Cable: UNIMESA Bangkok

Uganda  
Medical Only  
International Aeradio (E.A.) Ltd.  
P.O. Box 2577  
Kampala  
Tel: 54108  
Cable: INTAERO Kampala

Zambia  
R. J. Tibury (Zambia) Ltd  
P.O. Box 2792  
Lusaka  
Tel: 73793  
Cable: ARJAYTEE Lusaka

Zambia  
R. J. Tibury (Zambia) Ltd  
P.O. Box 2792  
Lusaka  
Tel: 73793  
Cable: ARJAYTEE Lusaka

Zambia  
R. J. Tibury (Zambia) Ltd  
P.O. Box 2792  
Lusaka  
Tel: 73793  
Cable: ARJAYTEE Lusaka

Zambia  
R. J. Tibury (Zambia) Ltd  
P.O. Box 2792  
Lusaka  
Tel: 73793  
Cable: ARJAYTEE Lusaka

## OTHER AREAS NOT LISTED CONTACT:

Hewlett-Packard Intercontinental  
2300 California Ave  
Palo Alto, California 94304  
Tel: (415) 493-1501  
TWX: 910-373-1260  
Cable: HEPPACK Palo Alto  
Tel: 034 8300, 034 8433

## CANADA

ALBERTA  
Hewlett-Packard (Canada) Ltd.  
11620A - 168 Street  
Edmonton T5M 3T9  
Tel: (403) 452-3670  
TWX: (810) 821-2431 EDTH  
Hewlett-Packard (Canada) Ltd.  
915 42 Ave S.E. Suite 102  
Calgary T2G 1Z1  
Tel: (403) 267-1872  
Tel: 80-82-84

BRITISH COLUMBIA  
Hewlett-Packard (Canada) Ltd.  
837 E. Goreway Street  
Vancouver V5A 3R2  
Tel: (604) 254-0531  
TWX: (810) 922-5059 VCA  
Hewlett-Packard (Canada) Ltd.  
1111A, Astor Road  
Bangalore 560 023  
Tel: 55661  
Tel: 430  
Cable: BLUESTAR

MANITOWA  
Hewlett-Packard (Canada) Ltd.  
313 Century St  
St. James  
Winnipeg R3H 0L8  
Tel: (204) 786-7581  
TWX: (810) 671-3531

NOVA SCOTIA  
Hewlett-Packard (Canada) Ltd.  
600 Windmill Road  
P.O. Box 9331  
O Dartmouth B2Y 3Z8  
Tel: (902) 469-7820  
TWX: 902-74-482 FX

ONTARIO  
Hewlett-Packard (Canada) Ltd.  
45B, 773 Oyo Road  
Clusean House  
P.M.B. 5402  
Lagos  
Tel: 61577  
Tel: 31231 TEL NIGERIA  
Cable: THETEL Lagos

QUEBEC  
Hewlett-Packard (Canada) Ltd.  
275 Hymus Blvd  
Pointe Claire H9R 1G7  
Tel: (514) 897-4212  
TWX: (810) 422-3072  
TLX: 05-821321 HPCL

FOR CANADIAN AREAS NOT LISTED:  
Contact Hewlett-Packard (Canada)  
Ltd. in Mississauga

## CENTRAL AND SOUTH AMERICA

ARGENTINA  
Hewlett-Packard Argentina  
S.A.  
Av. Leandro N. Alem 822 - 12º  
1001 Buenos Aires  
Tel: 31-8063, 4.3.6 and 7  
Tel: Public South No 8  
Cable: HEPPACK ARG

BOLIVIA  
Stamouk & Mora (Bolivia) Ltda  
Av. Mariscal, Santa Cruz 1342  
La Paz  
Tel: 40626, 53163, 52421  
Tel: 3500014  
Cable: BUKMAR

BRAZIL  
Hewlett-Packard do Brasil  
S.A. Ltda.  
Avenida Rio Negro, 980  
Apt. 416  
06400 Barueri São Paulo  
Tel: 429-2148, 429-7718  
Hewlett-Packard do Brasil  
S.A. Ltda.  
Rua Pedro Chagas, 32  
80000-Pôrto Alegre-5  
Tel: (51) 22-2988, 78-5821  
Cable: HEPPACK PORT Alegre

CHILE  
Computadores y Equipos  
Electrónicos  
P.O. Box 2895  
990 Toleda (y Cordova)  
Quito  
Tel: 525 582  
Tel: 02-2113 Septa Es  
Cable: Sagita Quito

COSTA RICA  
Cianitica Costarricense S.A.  
Calle Central, Avenidas 1 y 3  
Apartado 10159  
San José  
Tel: 21-06-13  
Cable: GALGUR San José

ECUADOR  
Medical Only  
A.F. Viscaino Compañía Ltda.  
Paraguay 494  
Cajalma 1010  
Santiago  
Tel: 31723, 31124  
Cable: GENCO Santiago

EL SALVADOR  
Instrumentación y Procesamiento  
Electrónico de El Salvador  
Bulevar de los Mercados 4-48  
San Salvador  
Tel: 252787

GUATEMALA  
IPESA  
Avenida La Reforma 3-18  
Zona 3  
Guatemala City  
Tel: 83637, 41796  
Tel: 4192 Teletro Gu

PARAGUAY  
Z.J. Molamed S.R.L.  
Diversos Aparatos y Equipos  
Médicos  
División Aparatos y Equipos  
Científicos y de Investigación  
P.O. Box 678  
Calle 482, Edificio Victoria  
Asunción  
Tel: 4-5069 + 6-72  
Cable: RAMEL

PERU  
Compañía Electro Médica S.A.  
Los Flamencos 145  
San Isidro Calle 1030  
Lima 1  
Tel: 35-09-07, 35-09-84,  
35-09-85, 35-09-31  
Tel: 25148 HEPPACK  
Cable: HEPPACK Caracas

PUERTO RICO  
Hewlett-Packard Inter America  
Puerto Rico Branch Office  
Cable 272, Urb. Country Club  
Carolina 00631  
Tel: (809) 752-7355/7455/7855  
Tel: HPIC-PR 3450514

PANAMA  
Electronica Betina, S.A.  
P.O. Box 4029  
Calle Samuel Lewis  
Ciudad de Panama  
Tel: 64-2700  
Tel: 3431103 Curunda,  
Cama Zone  
Cable: ELECTRON Panama

PARAGUAY  
Z.J. Molamed S.R.L.  
Diversos Aparatos y Equipos  
Médicos  
División Aparatos y Equipos  
Científicos y de Investigación  
P.O. Box 678  
Calle 482, Edificio Victoria  
Asunción  
Tel: 4-5069 + 6-72  
Cable: RAMEL

PERU  
Compañía Electro Médica S.A.  
Los Flamencos 145  
San Isidro Calle 1030  
Lima 1  
Tel: 35-09-07, 35-09-84,  
35-09-85, 35-09-31  
Tel: 25148 HEPPACK  
Cable: HEPPACK Caracas

PUERTO RICO  
Hewlett-Packard Inter America  
Puerto Rico Branch Office  
Cable 272, Urb. Country Club  
Carolina 00631  
Tel: (809) 752-7355/7455/7855  
Tel: HPIC-PR 3450514

PANAMA  
Electronica Betina, S.A.  
P.O. Box 4029  
Calle Samuel Lewis  
Ciudad de Panama  
Tel: 64-2700  
Tel: 3431103 Curunda,  
Cama Zone  
Cable: ELECTRON Panama

PARAGUAY  
Z.J. Molamed S.R.L.  
Diversos Aparatos y Equipos  
Médicos  
División Aparatos y Equipos  
Científicos y de Investigación  
P.O. Box 678  
Calle 482, Edificio Victoria  
Asunción  
Tel: 4-5069 + 6-72  
Cable: RAMEL

PERU  
Compañía Electro Médica S.A.  
Los Flamencos 145  
San Isidro Calle 1030  
Lima 1  
Tel: 35-09-07, 35-09-84,  
35-09-85, 35-09-31  
Tel: 25148 HEPPACK  
Cable: HEPPACK Caracas

PUERTO RICO  
Hewlett-Packard Inter America  
Puerto Rico Branch Office  
Cable 272, Urb. Country Club  
Carolina 00631  
Tel: (809) 752-7355/7455/7855  
Tel: HPIC-PR 3450514

PANAMA  
Electronica Betina, S.A.  
P.O. Box 4029  
Calle Samuel Lewis  
Ciudad de Panama  
Tel: 64-2700  
Tel: 3431103 Curunda,  
Cama Zone  
Cable: ELECTRON Panama

PARAGUAY  
Z.J. Molamed S.R.L.  
Diversos Aparatos y Equipos  
Médicos  
División Aparatos y Equipos  
Científicos y de Investigación  
P.O. Box 678  
Calle 482, Edificio Victoria  
Asunción  
Tel: 4-5069 + 6-72  
Cable: RAMEL

PERU  
Compañía Electro Médica S.A.  
Los Flamencos 145  
San Isidro Calle 1030  
Lima 1  
Tel: 35-09-07, 35-09-84,  
35-09-85, 35-09-31  
Tel: 25148 HEPPACK  
Cable: HEPPACK Caracas

PUERTO RICO  
Hewlett-Packard Inter America  
Puerto Rico Branch Office  
Cable 272, Urb. Country Club  
Carolina 00631  
Tel: (809) 752-7355/7455/7855  
Tel: HPIC-PR 3450514

PANAMA  
Electronica Betina, S.A.  
P.O. Box 4029  
Calle Samuel Lewis  
Ciudad de Panama  
Tel: 64-2700  
Tel: 3431103 Curunda,  
Cama Zone  
Cable: ELECTRON Panama

PARAGUAY  
Z.J. Molamed S.R.L.  
Diversos Aparatos y Equipos  
Médicos  
División Aparatos y Equipos  
Científicos y de Investigación  
P.O. Box 678  
Calle 482, Edificio Victoria  
Asunción  
Tel: 4-5069 + 6-72  
Cable: RAMEL

PERU  
Compañía Electro Médica S.A.  
Los Flamencos 145  
San Isidro Calle 1030  
Lima 1  
Tel: 35-09-07, 35-09-84,  
35-09-85, 35-09-31  
Tel: 25148 HEPPACK  
Cable: HEPPACK Caracas

PUERTO RICO  
Hewlett-Packard Inter America  
Puerto Rico Branch Office  
Cable 272, Urb. Country Club  
Carolina 00631  
Tel: (809) 752-7355/7455/7855  
Tel: HPIC-PR 3450514

PANAMA  
Electronica Betina, S.A.  
P.O. Box 4029  
Calle Samuel Lewis  
Ciudad de Panama  
Tel: 64-2700  
Tel: 3431103 Curunda,  
Cama Zone  
Cable: ELECTRON Panama

PARAGUAY  
Z.J. Molamed S.R.L.  
Diversos Aparatos y Equipos  
Médicos  
División Aparatos y Equipos  
Científicos y de Investigación  
P.O. Box 678  
Calle 482, Edificio Victoria  
Asunción  
Tel: 4-5069 + 6-72  
Cable: RAMEL

PERU  
Compañía Electro Médica S.A.  
Los Flamencos 145  
San Isidro Calle 1030  
Lima 1  
Tel: 35-09-07, 35-09-84,  
35-09-85, 35-09-31  
Tel: 25148 HEPPACK  
Cable: HEPPACK Caracas

PUERTO RICO  
Hewlett-Packard Inter America  
Puerto Rico Branch Office  
Cable 272, Urb. Country Club  
Carolina 00631  
Tel: (809) 752-7355/7455/7855  
Tel: HPIC-PR 3450514

PANAMA  
Electronica Betina, S.A.  
P.O. Box 4029  
Calle Samuel Lewis  
Ciudad de Panama  
Tel: 64-2700  
Tel: 3431103 Curunda,  
Cama Zone  
Cable: ELECTRON Panama



**END**

# **GENERAL INFORMATION**

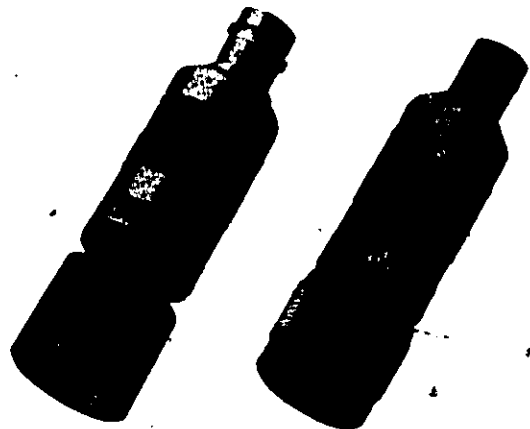
HP 423A  
HP 8470A

OPERATING NOTE

**CRYSTAL  
DETECTOR**

**423A**

**8470A**



JULY 1972

HEWLETT  PACKARD

HP 423A  
HP 8470A

## **CERTIFICATION**

*The Hewlett-Packard Company certifies that this instrument was thoroughly tested and inspected and found to meet its published specifications when it was shipped from the factory. The Hewlett-Packard Company further certifies that its calibration measurements are traceable to the U.S. National Bureau of Standards to the extent allowed by the Bureau's calibration facility.*

## **WARRANTY AND ASSISTANCE**

All Hewlett-Packard products are warranted against defects in materials and workmanship. This warranty applies for one year from the date of delivery, or, in the case of certain major components listed in the operating manual, for the specified period. We will repair or replace products which prove to be defective during the warranty period provided they are returned to Hewlett-Packard. No other warranty is expressed or implied. We are not liable for consequential damages.

Service contracts or customer assistance agreements are available for Hewlett-Packard products that require maintenance and repair on-site.

For any assistance, contact your nearest Hewlett-Packard Sales and Service Office. Addresses are provided at the back of this manual.

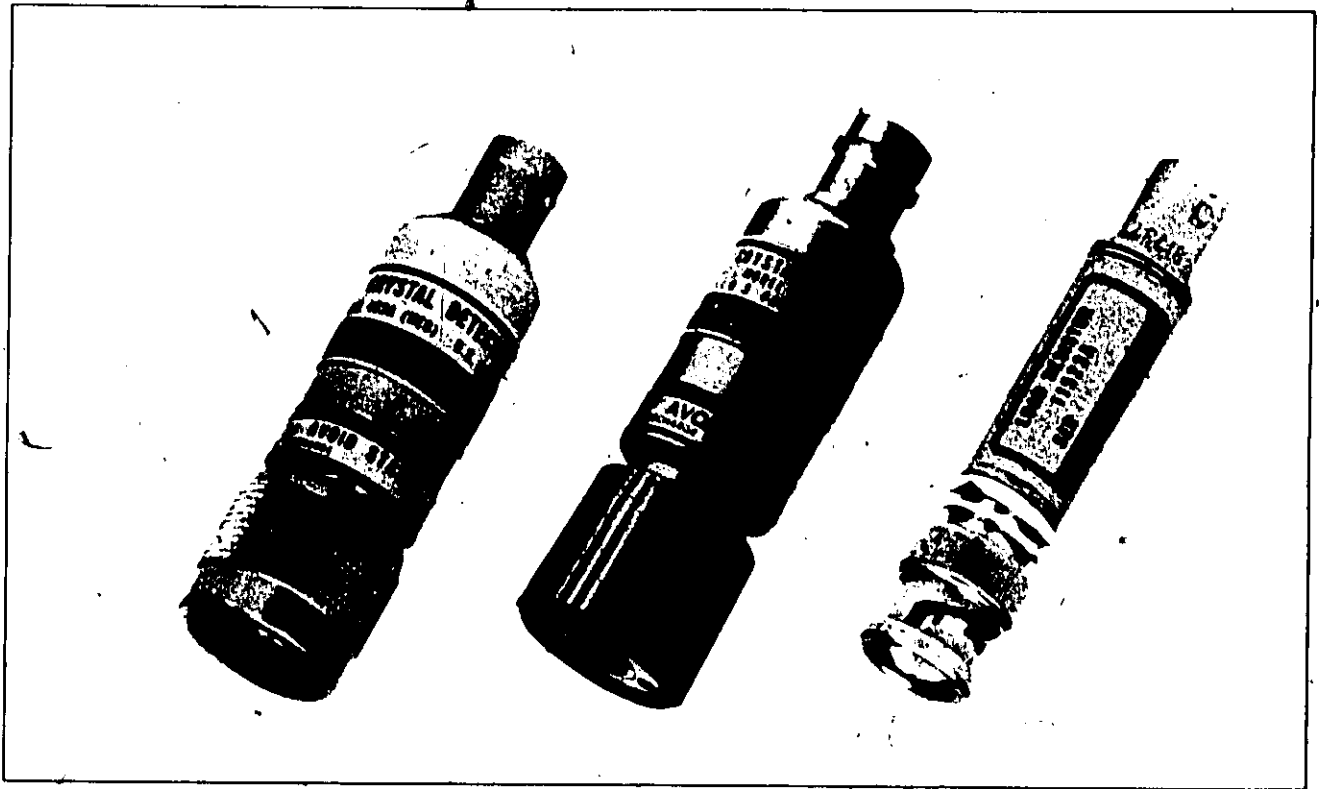


Figure 1. Models 423A and 8470A Crystal Detectors and Model 11523 Load Resistor

## INTRODUCTION

The 423A and 8470A Crystal Detectors are 50-ohm (nominal) devices designed for measurement use in coaxial systems. They measure relative power up to 100 mW, and have a BNC output jack to connect the detected output to a meter, such as the 415E. Frequency range of the 423A is 10 MHz to 12.4 GHz. The 8470A has additional range up to 18 GHz.

Output polarity of the Detectors is negative unless the Option 003 version is purchased. Specifications and Options are listed in Table 1.

The optional Load Resistor, Model 11523A, is mounted in a separate housing to permit easy conversion from optimum square law to maximum output. Each load is identified by the serial number of the Detector to which it is matched. If you have more than one Model 11523A, always be sure that the proper one is in use for the Detector you are using.

## PRECAUTIONS

### Electrical Shock

**DISCHARGE OF STORED ELECTRICAL ENERGY CAN EASILY DAMAGE THE CRYSTAL DETECTOR.** A 100-pF capacitor, the

equivalent of four feet of coaxial cable, charged to 14 volts stores 0.1 erg of energy which is the maximum safe pulse rating of the detector. Be certain that a cable is connected to associated equipment and discharged before connecting it to crystal detector.

### Handling Detector Element:

**DO NOT HANDLE DETECTOR ELEMENT USED IN CRYSTAL DETECTOR NEEDLESSLY.** Static electricity which builds up on a person, especially on cold, dry day, must never be allowed to discharge through the Crystal Detector. Avoid exposed leads to or from the Crystal Detector, since these are often touched accidentally. Refer to Detector Element Replacement for proper precautions.

## GENERAL

The crystal Detector can be used as a demodulator to obtain a pulse envelope which can then be observed on an oscilloscope. It can also be used as a general purpose detector.

When using the Crystal Detector with an oscilloscope and the waveshapes to be observed have rise times of less than 5  $\mu$ sec, the coaxial cable connecting oscilloscope and detector should be as short as possible and shunted with a resistor. Ideally, this resistor should be 50 ohms to terminate the coaxial

Table 1 Specifications

<b>Frequency Range:</b>	<b>Connectors:</b>
<p>423A: 10 MHz to 12.4 GHz</p> <p>8470A: 10 MHz to 18 GHz (Below 1 GHz, RF may leak through the video output connector. It can be eliminated, if objectionable, with suitable low pass filter.)</p>	<p>423A:</p> <p>Option 001: Matched pair. Frequency response characteristics (exclusive of basic sensitivity) track within <math>\pm 0.2</math> dB per octave from 10 MHz to 8 GHz, <math>\pm 0.3</math> dB from 8 to 12.4 GHz.</p>
<b>Frequency Response:*</b>	<p>Option 002: Furnished with matched load resistor (11523A) for optimum square law characteristics at 24°C (75°F),* <math>&lt; \pm 0.5</math> dB variation from square law over a range of at least 30 dB up to 50 mV peak output working into an external load <math>&gt; 75k</math> ohms. Sensitivity typically <math>&lt; 0.1</math> mV/<math>\mu</math>W when load resistor is used. Overall length 4-1/2 in. (144 mm).</p>
<p>423A: <math>\pm 0.2</math> dB/octave 10 MHz to 8 GHz, <math>\pm 0.5</math> dB overall.</p> <p>8470A: <math>\pm 0.2</math> dB/octave 10 MHz to 8 GHz, <math>\pm 0.5</math> dB to 12.4 GHz, <math>\pm 1.0</math> dB overall.</p>	<p>Option 003: Positive polarity output.</p>
<b>Maximum Power:</b> 100 mW, peak or average.	8470A:
<b>Sensitivity at 25°C:</b>	<p>Option 001: Matched pair. Frequency response characteristics (exclusive of basic sensitivity) track within <math>\pm 0.2</math> dB per octave from 10 MHz to 8 GHz, <math>\pm 0.3</math> dB from 8 to 12.4 GHz, <math>\pm 0.6</math> dB from 12.4 to 18 GHz.</p>
<p>High Level: <math>&lt; 0.35</math> mW produces 100 mV output.</p> <p>Low Level: <math>&gt; 0.4</math> mVdc/<math>\mu</math>W CW.</p> <p>Output decreases with increasing temperature.</p> <p>Typically 0.015 dB/°C from 0°C to 55°C.</p>	<p>Option 002: Furnished with matched load resistor (11523A) for optimum square law characteristics at 24°C (75°F),* <math>&lt; \pm 0.5</math> dB variation from square law over a range of at least 30 dB up to 50 mV peak output working into an external load <math>&lt; 75k\Omega</math>. Sensitivity typically <math>&gt; 0.1</math> mV/<math>\mu</math>W when load resistor is used. Overall length 4-1/2 in. (144 mm).</p>
<b>Impedance:</b> 50 ohms.	<p>Option 003: Positive polarity output.</p>
<b>Reflection Coefficient:</b>	<p>Option 012: Furnished with stainless steel type N male connector.</p>
<p>423A and 8470A: 10 MHz to 4.5 GHz, 0.091 (1.2 SWR); 4.5 GHz to 7.0 GHz, 0.15 (1.35 SWR); 7.0 GHz to 12.4 GHz, 0.2 (1.5 SWR).</p> <p>8470A: 12.4 GHz to 18.0 GHz, 0.26 (1.7 SWR).</p>	<p>Option 013: Furnished with stainless steel type N female connector.</p>
<b>Output Impedance:</b> $< 15k\Omega$ shunted by 10 pF.	
<b>Detector Element:</b> Supplied. (Refer to Table 2 for replacement assemblies.)	
<b>Output Polarity:</b> Negative. (Refer to options for positive polarity units.)	
<b>Noise:</b> $< 200$ $\mu$ V p-p, with CW applied to produce 100 mVdc output.	
* As read on a meter calibrated for square-law detectors (such as HP 415E SWR Meter).	

cable properly. However, with 50 ohms resistance, possibly the output video pulse may be too small to drive some oscilloscopes. Therefore, the cable should be shunted with the smallest value of resistance that will obtain suitable deflection on the oscilloscope; typically the value will lie between 50 and 2k ohms. The larger the resistance the more degradation of rise time.

The power applied to the Detector can be either modulated or continuous wave (CW). If modulated at a 1000-cps rate, the sensitive HP Model 415B/E can be used as the indicator. For CW detection, a dc milliammeter or millivoltmeter such as the HP Model 425A Microvolt-Ammeter can be used as the indicator.

### Peak Power Measurement

The arrangement of equipment for peak power measurement is shown in Figure 2. The procedure involves calibration of an oscilloscope which in turn is used to calibrate a CW generator. The output of the calibrated CW generator is measured with a power meter; the peak power of a pulse is thereby measured. The procedure is as follows:

- a. Connect equipment as shown in Figure 2, step 1.
- b. Observe pulse on a de-coupled oscilloscope. Using a marking pencil, mark on the graticule the base-to-peak amplitude of the pulse envelope.

Models 423A 8470A

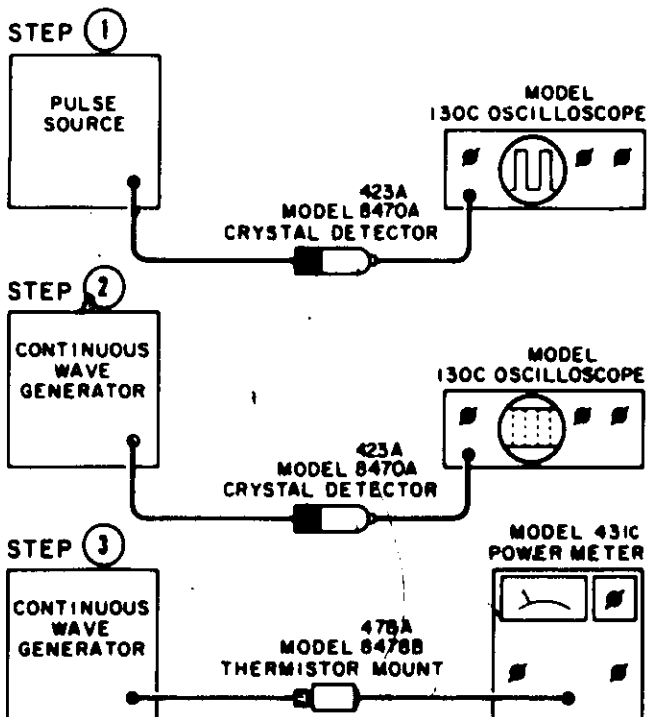


Figure 2. Peak Power Measurement.

c. Replace the pulse source with a CW generator (step 2). While observing the oscilloscope trace, adjust amplitude of CW generator output to make crystal output equal to that of pulse generator as indicated by markings on graticule (step b).

d. While performing the next step, leave CW generator at setting obtained in step c. Disconnect Detector from CW generator. Connect output of CW generator to a thermistor and power meter. Measure adjusted level (step c) of CW generator output.

e. The peak power of the pulse envelope observed in step b is equal to the output power of the CW generator.

### Reflectometer Application

For information about reflectometer systems and measurements, see HP Application Notes 54 and 61 and Hewlett-Packard Journal Vol. 12, No. 4, December 1960, copies of which are available upon request.

### HARMONIC FREQUENCY-COMPARISON MEASUREMENTS

The Detector can be used as a mixer in harmonic-frequency comparison measurements.

### REPLACEMENT OF PARTS

Succeeding paragraphs give instructions for repair of the Detector, and the Option 002 Load Resistor, Model 11523A. Additional maintenance information can be obtained from your local Hewlett-Packard field office. Stock numbers for replaceable parts are given in Table 2.

The detector element assembly includes a detector element, an Option 002 load resistor for the 11523A, capacitive washer and a capsule spacer. The resistor is to load the diode for square-law operation, the capacitive washer is to match the diode for VSWR, while the capsule spacer is mainly for flatness of sensitivity. All should be replaced as a unit when the diode is replaced.

### Detector Element Replacement

#### WARNING

The special detector element (See Figure 3) contained in the Detector can be damaged in handling, removal, or installation if certain precautions are not taken. The handling precautions which follow should be read before performance of any operation with the detector element when it is out of either the housing or the detector element shipping container.

**Detector Element Handling Precautions**

a. Before installing detector into mount, touch exposed metal on mount with your hand to discharge static electricity. Then insert detector into mount.

b. When handing crystal to another person, touch hands first to ensure there is no difference in static electricity potential between you.

c. Ohmmeters should NOT be used to measure forward and back-resistance since it is rather easy to damage these diodes. (The difficulty arises because of the ohmmeter open-circuit voltages and short-circuit currents. It is easy for these currents or voltages to damage the diode.)

**Replacing Detector Element**

Parts mentioned in the following procedure are identified in Figure 3.

a. Remove connector cap from body. To remove connector cap, use a pair of gas pliers with plastic teeth or protect body with heavy paper or tape.

b. Remove old detector element, capsule spacer, and capacitive washer, and discard them.

c. Install the new capacitive washer, capsule spacer, and detector element. Install the washer first, the spacer with its polyiron side against the washer. Finally, install the detector element by inserting the resistive end into the center contact inside the Detector body.

**CAUTION**

When inserting the detector element, do not force the tip (resistive end) into the center conductor in the body as the fingers of the center conductor might be damaged. If the detector element is not centered

d. Replace connector cap and **TIGHTEN FIRMLY.**

**NOTE**

The Option 002 Detector Element Assembly includes a detector element and a resistor. The resistor is for use in the Model 11523A and must be installed to match it to the Detector.

**Replacing Output BNC Connector**

**Tools Required.**

- a. Needle-point soldering iron
- b. Wire cutters
- c. Flat file, #4
- d. Tweezers

**Procedure.** Parts mentioned in the following procedure are identified in Figures 3 and 4

- a. Remove BNC connector and lockwasher
- b. Unsolder contact spring soldered to center conductor lead

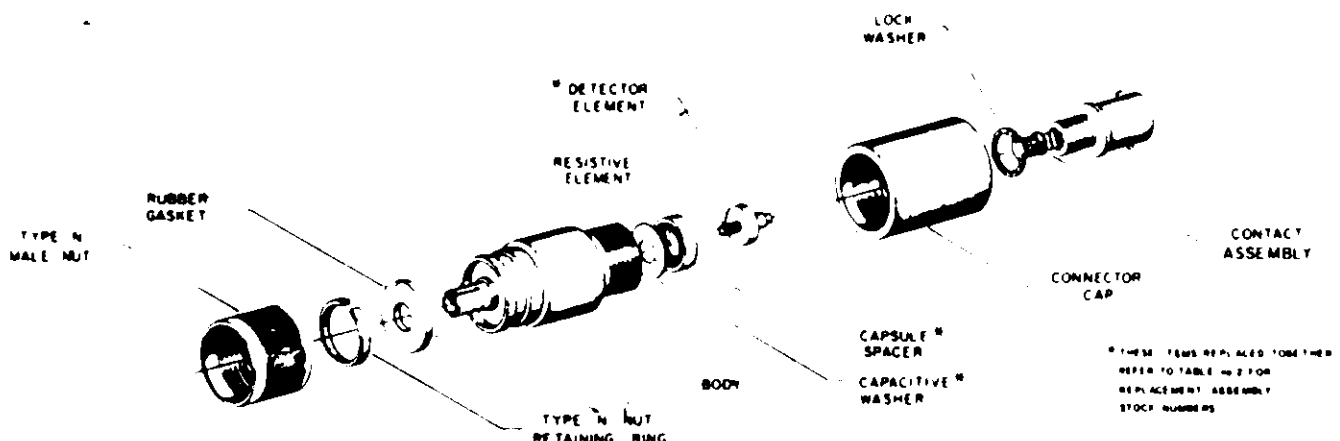


Figure 3 Model 423A Assembly

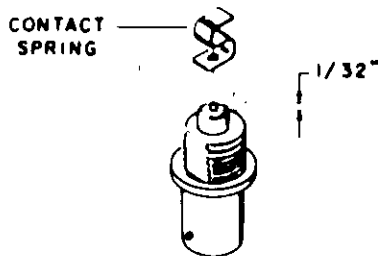


Figure 4. Cutting Center Conductor Lead to Accommodate Contact Spring

- (1) Cut center conductor lead to approximately 1/32 inch (see Figure 4).
- (2) With flat file, smooth end of lead; wipe off burr with tweezers or similar metal instrument.

c. Slip contact spring over center conductor lead, and solder.

#### CAUTION

Use solder sparingly or it will creep back on spring. Solder on spring destroys its usefulness, and solder is difficult to remove from spring.

d. Let spring cool, and then replace lock washer and connector in connector cap.

#### Replacement of 11523A Parts

Parts mentioned in the following procedure are identified in Figures 4 and 5. Tools required are listed in Replacing Output BNC Connector, Tools Required.

#### Replacing Male BNC Connector.

a. Remove male BNC connector and lock washer from housing. To remove BNC, use a 3/8-inch openend wrench and hold the housing either in a vise or with gas pliers. Before putting pliers on, protect the housing of the 11523A with material such as heavy paper.

- b. Unsolder resistor.
- c. Solder resistor to new BNC.

d. Let resistor cool and then check resistance from male BNC pin through resistor; resistance measured should be  $\pm 10\%$  that indicated by the coding.

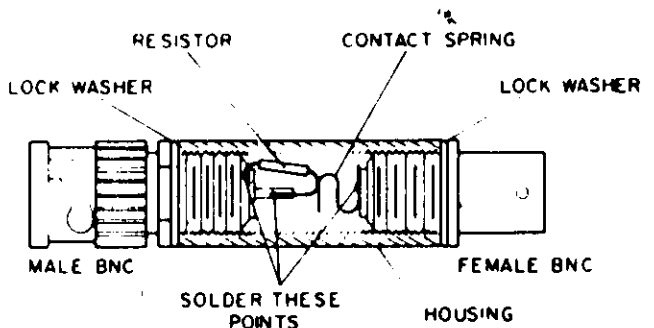


Figure 5 Model 11523A Load Resistor, Cutaway View

- e. Replace lock washer and male BNC.

#### Replacing Female Connector

a. Remove BNC connector. To remove or install BNC, use a BNC wrench or use a male BNC connector as a wrench.

- b. Unsolder contact spring.

c. Prepare replacement BNC connector:

- (1) Cut center conductor lead to approximately 1/32 inch.
- (2) With flat file, smooth end of lead; wipe off burr with tweezers or similar metal instrument.

d. Slip contact spring over center conductor lead, and solder.

#### CAUTION

Use solder sparingly or it will creep back on spring. Solder on spring destroys its usefulness and is difficult to remove.

e. Let contact spring cool and then screw connector into mount.

#### REPLACEABLE PARTS

This section contains information pertaining to replaceable parts (see Table 2) and the ordering of these parts for the Models 423A, 8470A, and 11523A.

To order a replacement part, address order or inquiry to your local Hewlett-Packard field office (see list at rear of this Note).

Specify the following information for each part.

- a. Model number
- b. Hewlett-Packard stock number
- c. Description of part.

**PARTS**

**LIST**

Table 2. Replaceable Parts, Models 423A, 8470A, and 11523A

Description	Stock No.	Description	Stock No.
Connector, male BNC for 11523A	1250-0045	Matched pairs of elements with matching load resistor (Option 002): Negative polarity Positive polarity (Option 003)	
Connector, female BNC	1250-0251		00423-603 00423-604
Connector Assembly, female BNC, including contact assembly	00423-600	<b>8470A Diode Replacement Assemblies</b>	
Connector, Cap	5020-0210	Single Detector Assembly: Negative Polarity	08470-6001
Housing for 11523A	5020-3215	Positive Polarity (Option 003)	08470-6002
11523A without resistor, includes serial plate to be attached to 423A	11523-600	Single Detector Assembly with matching load resistor (Option 002): Negative Polarity	08470-6003
Body Assembly, 423A or 8470A Includes the following:	00423-601	Positive Polarity (Option 003)	08470-6004
		Matched Pairs of assemblies (Option 001): Negative Polarity	08470-6005
Type N Male Nut	1250-0918	Positive Polarity (Option 003)	08470-6006
Type N Nut Retaining Ring	1250-0016	Matched pairs of assemblies with load resistors (Option 002): Negative Polarity	08470-6007
Type N Male Nut Rubber Gasket	1250-0015		Positive Polarity (Option 003)
Body, Crystal Mount	00423-202	<b>APC-7 Connector Assembly</b>	
Type N		Inner conductor contact	1250-0907
Male Connector Center Conductor	00423-201	Inner conductor contact mechanism (contact plus outer body; assembled)	1250-0816
Type N		Support bead	5040-0273
Male Connector Outer Conductor	1250-0014	Coupling nut	1250-0819
Type N Male Connector Bead	5020-0207	Outer Conductor	1250-1183
<b>423A Diode Replacement Assemblies<sup>1</sup></b>		Coupling Sleeve	1250-0820
Single detector assembly:		<b>Tools:<sup>2</sup></b>	
Negative polarity	00423-802	APC-7 contact extractor	5060-0236
Positive polarity (Option 003)	00423-803	APC-7 Spanner wrench	5060-0237
Single detector assembly with matching load resistor (Option 002):		Open-end wrench	8710-0877
Negative polarity	00423-800		
Positive polarity (Option 003)	00423-801		
Matched pairs of assembly (Option 001):			
Negative polarity	00423-605		
Positive polarity (Option 003)	00423-606		

<sup>1</sup> Refer to Table 1 for description of options.<sup>2</sup> Part of HP Model 11591A APC-7 Connector Tool Kit.

## PERFORMANCE CHECKS

The following paragraphs suggest methods to use for checking detector specifications. For these checks the instrument operator should refer to the manuals of the equipment involved for operating instructions

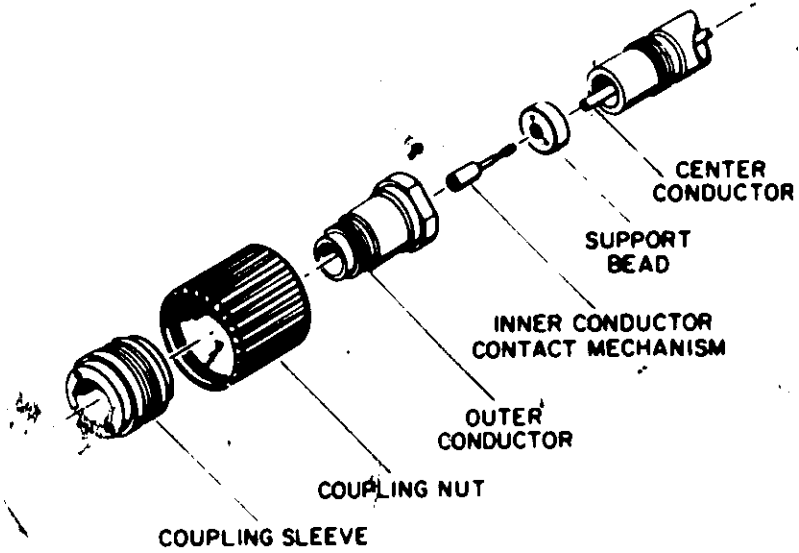
### Frequency Response Check

a. Using a 10 MHz to 18 GHz signal source with a 10 dB isolating attenuator, and an SWR

Meter as the indicator, connect the detector to the signal source and adjust the RF power level for any convenient upper scale reference on the SWR meter.

b. Without changing the RF output level, disconnect the detector from the signal source.

c. Using a power meter/thermistor mount combination, measure the signal source RF output level and record it.



**USE**

**To Connect:**

1. On one connector, retract the coupling sleeve by turning the coupling nut counterclockwise until the sleeve and nut disengage.
2. On the other connector, fully extend the coupling sleeve by turning the coupling nut clockwise. To engage coupling sleeve and coupling nut when the sleeve is fully retracted, press back lightly on the nut while turning it clockwise.
3. Push the connectors firmly together, and thread the coupling nut of the connector with retracted sleeve over the extended sleeve.
4. Close the gap between coupling nuts with the nut on the extended-sleeve connector.

**To Disconnect:**

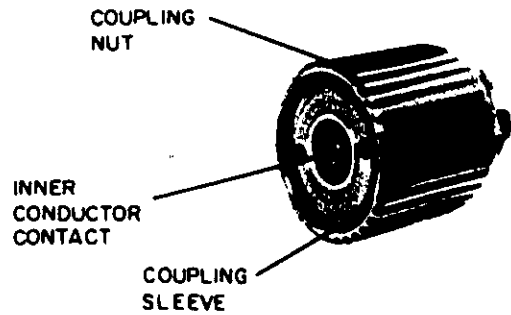
1. Loosen the coupling nut of the connector showing the wider gold band.



2. **IMPORTANT:** Part the connectors carefully to prevent striking the inner conductor contact.

**CARE**

1. Keep contacting surfaces smooth and clean. Irregularities and foreign particles can degrade electrical performance.



2. Protect the contacting surfaces when the connector is not in use by leaving the coupling sleeve extended.

3. Use lintless material and/or firm-bristled brush such as a tooth brush for cleaning. If a cleaning fluid is needed use isopropyl alcohol. **IMPORTANT:** Do not use aromatic or chlorinated hydrocarbons, esters, ethers, terpenes, higher alcohols, ketones, or ether-alcohols such as benzene, toluene, turpentine, dioxane, gasoline, cellosolve acetate, or carbon tetrachloride. Keep exposure of the connector parts to both the cleaning fluid and its vapors as brief as possible.

Figure 6. APC-7 Connectors

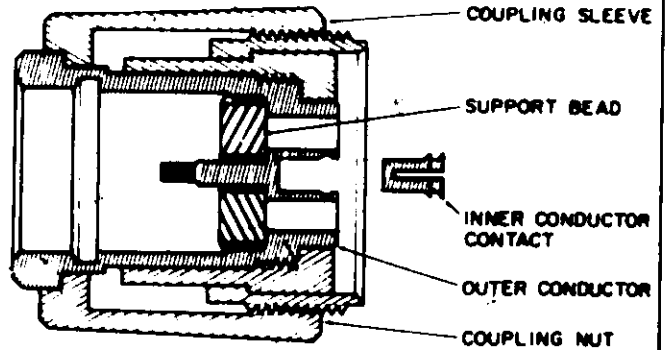
**REPLACING AMPHENOL APC-7 CENTER CONTACT**

Through wear or damage the contact in the center conductor may need replacing. This contact is a small four-pronged collet which snaps into a recess in the center conductor. This contact is normally held in by the spring-action of the four prongs. With a magnifying glass examine this contact to determine if it needs replacement. **DO NOT REMOVE THIS CONTACT FOR INSPECTION** (it may be damaged by removing). The contact should be free of burrs or wear and the prongs should be equally spaced. If the contact is removed do **NOT** re-use it (it may be damaged by removal). This contact is Amphenol\* part number 131-129 and HP 1250-0907. If this contact needs replacement and a new contact is available proceed as follows:

1. Place the instrument so the connector faces down, if possible.

2. Tap the connector lightly and the contact should now protrude slightly. Insert the centering pin of the Hewlett-Packard collet remover, Stock Number 5060-0236, with the jaws open. If this tool is not available, an ordinary draftsman's mechanical pencil may be used (the end of the jaws may have to be filed to get a good grasp at the very end).

3. Allow the jaws on the tool used to close and pull straight away from the connector without twisting. The contact should come with the tool. If not, repeat the process. **Do NOT** re-use the contact.



4. Snap in a new contact by pushing a new contact in place.

(Amphenol\* Part number 131-129; HP Part number 1250-0907)

\*Amphenol RF Division, Danbury, Conn.

Figure 7 APC-7 Connector

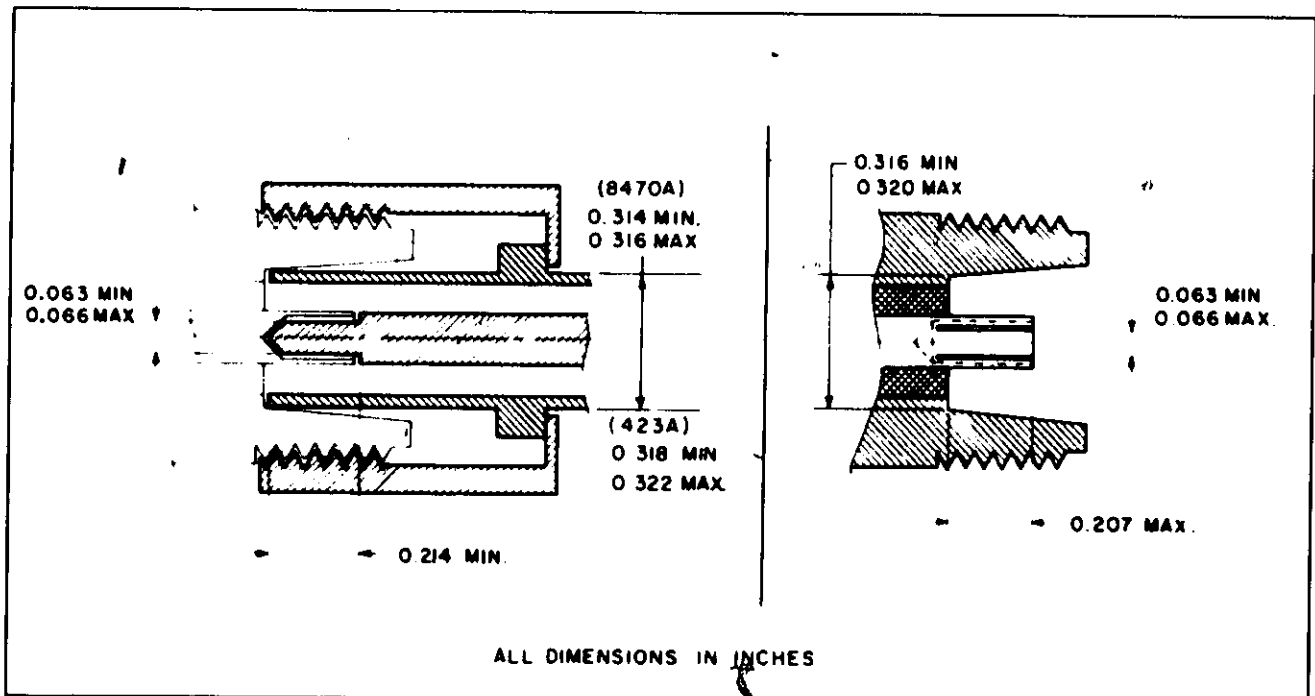


Figure 8. Type N Connector

d. Change the frequency and reset the RF output level to that measured in step c.

e. Disconnect the power meter/thermistor mount from the signal source and reconnect the detector. Total variation should be  $< 1$  dB to 12.4 GHz;  $< 1$  dB to 18 GHz.

f. Repeat steps b, c, d, and e at all points of interest across the frequency band.

#### Sensitivity Check

a. Using a 10 MHz to 18.0 GHz signal source and a dc voltmeter as the indicator, connect the detector to the signal source and adjust the RF power level for a 100 mV detected output from the detector.

b. Disconnect the detector from the signal source and measure the RF output level. Specification: less than 0.35 mW should produce 100 mV detected output.

# **PERFORMANCE CHECK**

PERFORMANCE TESTS

SWR Check

SPECIFICATIONS:

- 10 MHz to 4.5 GHz: 1.2 SWR
- 4.5 to 7 GHz: 1.35 SWR
- 7 to 12.4 GHz: 1.5 SWR
- 12.4 to 18 GHz: 1.7 SWR

DESCRIPTION: The 8470A is connected to a Coaxial Swept Slotted-Line System.<sup>1</sup> The SWR of the 8470A is measured on a swept-frequency basis. At any frequency where the 8470A appears to be out of specifications, an SWR Meter is connected and the SWR is measured at that frequency on a single-frequency basis. If the SWR is within specifications at higher frequencies, the Detector will be within specifications at lower frequencies also.

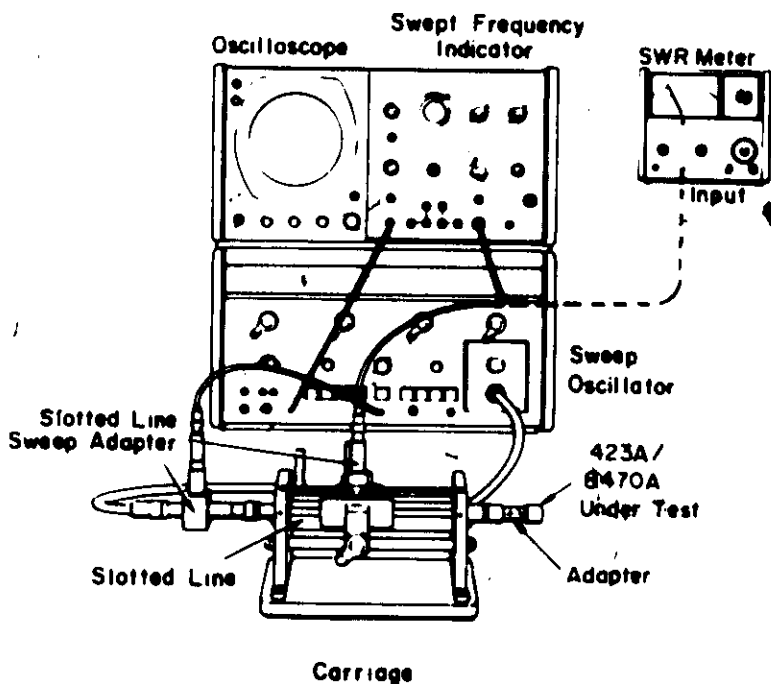


Figure 9. SWR Test Setup

EQUIPMENT:

Slotted-Line Carriage	HP 809C
Slotted-Line	HP 816A
Slotted-Line Sweep Adapter	HP 448A
The above instruments form the HP 817A Coaxial Swept Slotted-Line System	
Sweep Oscillator	HP 8690 mainframe with 8699 (110 MHz to 4 GHz)
	HP 8690 mainframe with 8693 (4 to 8 GHz)
	HP 8690 mainframe with 8694 (8 to 12.4 GHz)
	HP 8690 mainframe with 8695 (12.4 to 18 GHz)
Swept-Frequency Indicator	HP 1416A
Oscilloscope	HP 141A
SWR Meter	HP 415E
Adapter	HP 11534A

<sup>1</sup> For details, see Operating Note for Model 817A Coaxial Swept Slotted-Line System.

## PERFORMANCE TESTS

---

### PROCEDURE:

1. Connect the equipment as shown in Figure 9.
2. Set the Sweep Oscillator to sweep the band of interest.
3. Level the sweep oscillator as follows:
  - a. Manually sweep the band and adjust Sweep Oscillator output and Slotted Line Sweep Adapter probe penetration for a leveled ALC signal with a DC output of 25 mV. Use a BNC Tee and momentarily connect the Vertical Input of the scope to view the ALC loop.
  - b. Switch Sweep Oscillator to AUTO sweep and check leveling of ALC loop.
  - c. Check output of 8472A with Oscilloscope. Maximum output should be 100 mV. If too high, turn Sweep Oscillator output down or insert attenuator between Slotted-Line Sweep Adapter and the Carriage.
4. Set Swept Frequency Indicator to LOG MODE with 2 dB/cm sensitivity.
5. Adjust Slotted Line probe and Swept-Frequency Indicator LOG BALANCE for a noise-free display. Use minimum possible probe penetration.
6. Set Oscilloscope PRESENTATION to WRITE.
7. Move the carriage at least one-half wavelength while sweeping the band of interest.
8. Measure the width of the trace in a vertical direction at the thickest point.
9. Compare this with specifications using the formula:

$$SWR = \log^{-1} (dB/20)$$

or

1.2	SWR = 1.58 dB
1.35	SWR = 2.61 dB
1.5	SWR = 3.52 dB
1.7	SWR = 4.61 dB

The SWR should be less than specifications. If not, measure the width of the trace without sweeping. Subtract this reading from the measured value. If the resultant is not less than specification, proceed to the following single-frequency test.

10. Set the Sweep Oscillator to MANUAL sweep. Set Sweep Oscillator to the frequency in question.
11. Connect the output of the Carriage Probe to the input of the SWR Meter. Set the SWR Meter RANGE switch to 30 dB.
12. Set the Sweep Oscillator for internal squarewave modulation and peak indication on SWR Meter.
13. Move the Carriage Probe for a maximum indication.
14. Adjust the SWR Meter GAIN control for a full-scale indication on the SWR Meter.
15. Move the Carriage Probe for a minimum indication.
16. Read the SWR from the indication.



## EUROPE

- AUSTRIA**  
Hewlett Packard Ges m b H  
Händelsstr. 12 1  
P.O. Box 7  
A-1705 Vienna  
Tel: 0222 33 96 06 to 09  
Cable: NEWPAK Vienna  
Telex: 75921 newpak a
- BELGIUM**  
Hewlett Packard Benelux  
S.A. N.V.  
Avenue du Col vert 1  
B-1170 Brussels  
Tel: 02 72 22 41  
Cable: PALOBEN Brussels  
Telex: 21 494
- DENMARK**  
Hewlett Packard A/S  
Ostavej 16  
DK-3460 Silkeborg  
Tel: 01 81 66 40  
Cable: NEWPAK AS  
Telex: 16440 hp as  
Hewlett Packard A/S  
Torvet 9  
DK-8600 Silkeborg  
Tel: 06 82 71 86  
Telex: 16440 hp as  
Cable: NEWPAKAS
- FINLAND**  
Hewlett Packard Oy  
Bulevardi 26  
P.O. Box 17185  
SF-00120 Helsinki 17  
Tel: 90 11730  
Cable: NEWPACKOY Helsinki  
Telex: 171561 hel
- FRANCE**  
Hewlett Packard France  
Quartier de Courtabouff  
Boite Postale No 6  
F-91401 Orsay  
Tel: 1 907 78 25  
Cable: NEWPAK Orsay  
Telex: 60048
- GERMANY**  
Hewlett Packard Vertrieb GmbH  
4 Quai des Etoiles  
F-93121 Lyon Cedex 1  
Tel: 78 42 83 45  
Cable: NEWPAK Lyon  
Telex: H617
- GREECE**  
Hewlett Packard France  
29 rue de la Gare  
F-31700 Blagnac  
Tel: 61 85 82 29  
Telex: 51957
- GERMAN FEDERAL REPUBLIC**  
Hewlett-Packard Vertriebs GmbH  
Berliner Strasse 117  
Postfach 560 140  
D-8 Nieder-Eichborn 110  
Tel: 0611 50 04 1  
Cable: NEWPACKSA Frankfurt  
Telex: 41 12 48 FRA  
Hewlett-Packard Vertriebs GmbH  
Herrnbergstrasse 110  
D-7030 Böblingen, Württemberg  
Tel: 07031 66 72 87  
Cable: NEWPAK Böblingen  
Telex: 72 85 738 bon  
Hewlett Packard Vertriebs GmbH  
Yugelsanger Weg 18  
D-4 Böselohr  
Tel: 0211 63 80 11 35  
Telex: 65 86 533 hpfd 4  
Hewlett-Packard Vertriebs GmbH  
Wendensfeld 23  
D-2 Hamburg 1  
Tel: 0411 24 05 51 52  
Cable: NEWPACKSA Hamburg  
Telex: 21 33 032 hpnd 4  
Hewlett-Packard Vertriebs GmbH  
Unterhachinger Strasse 26  
\*SAR Center  
D-8012 Ottobrunn  
Tel: 0811 401 30 61 7  
Telex: 52 49 85  
Cable: NEWPACKSA München
- IRELAND**  
Hewlett-Packard Ltd  
224 Bath Road  
Slough, SL1 4 OS Bucks  
Tel: 0611 50 04 1  
Cable: NEWPHE Slough  
Telex: 64411  
Hewlett Packard Ltd  
The Gallions  
Stamford New Road  
Sturminster, Dorset, England  
Tel: 041 928 8476  
Telex: 665068
- ITALY**  
Hewlett Packard Italiana S.p.A.  
Via Amerigo Vesputici 2  
I-20124 Milan  
Tel: 02 6251 10 Milan  
Cable: NEWPACKIT Milan  
Telex: 12046  
Hewlett Packard Italiana S.p.A.  
Piazza Marconi  
I-00144 Rome Eur  
Tel: 6 5912544 5 5912547  
Cable: NEWPACKIT Rome  
Telex: 41514  
Hewlett Packard Italiana S.p.A.  
vicom Pastori 3  
I-15100 Padova  
Tel: 49 66 40 82  
Telex: 12046 via Milan
- NETHERLANDS**  
Hewlett Packard Benelux N.V.  
Weerdesteen 117  
P.O. Box 7825  
Amsterdam, Z 11  
Tel: 020-42 77 77  
Cable: PALOBEN Amsterdam  
Telex: 11 218 nepa nl
- NORWAY**  
Hewlett Packard Norge A/S  
Box 149  
Nesveien 11  
N-1344 Mjøsum  
Tel: 021-53 83 60  
Telex: 10621 npnas n
- PORTUGAL**  
Teletra Empresa Technica de Equipamentos  
ELECTRONIC S.A. I.  
Rua Rodrigo de Fonseca 103  
P.O. Box 2531  
P. Lisboa 1  
Tel: 19 68 80 77  
Cable: TELETRA Lisbon  
Telex: 1588
- SPAIN**  
Hewlett Packard Española S.A.  
Ierex No 8  
Madrid 16  
Tel: 494 26 00  
Telex: 73515 hpe
- SWEDEN**  
Hewlett Packard Sverige AB  
Engelstevägen 3  
Fack  
S-161 20 Bromma 20  
Tel: 08 96 12 50  
Cable: MEASUREMENTS  
Stockholm  
Telex: 10721  
Hewlett-Packard Sverige AB  
Hagabergsgatan 9C  
S-431 41 Skövde  
Tel: 031 27 68 00 01  
Telex: 71 312 hpmsnd s
- SWITZERLAND**  
Hewlett Packard Schweiz AG  
Zürcherstrasse 20  
P.O. Box 64  
CH-8852 Schönenberg Zurich  
Tel: 01 96 18 21 24  
Cable: HPAG CH  
Telex: 53933 hpag ch  
Hewlett-Packard Schweiz AG  
Rue du Bois du Lan 7  
P.O. Box 85  
1217 Meyrin 7 Geneva  
Tel: 022 41 54 00  
Cable: NEWPACKSA Geneva  
Telex: 77333 nepa ch
- TURKEY**  
Teletra Engineering Bureau  
Sefine Sok No 15 1  
Atatürk Beyoğlu  
P.O. Box 437 Beyoğlu  
Istanbul  
Tel: 49 40 40  
Cable: TELETRAM Istanbul
- UNITED KINGDOM**  
Hewlett Packard Ltd  
774 Bath Road  
Slough, SL1 4 OS Bucks  
Tel: Slough (0753) 33341  
Cable: NEWPHE Slough  
Telex: 64411  
Hewlett Packard Ltd  
The Gallions  
Stamford New Road  
Sturminster, Cheshire  
Tel: 061 928 8476  
Telex: 668068
- SOCIALIST COUNTRIES PLEASE CONTACT:**  
Hewlett Packard Ges m b H  
Händelsstr. 12 1  
P.O. Box 7  
A-1705 Vienna  
PW 0222 33 96 06 to 09  
Cable: NEWPAK AS  
Telex: 75921 newpak a
- ALL OTHER EUROPEAN COUNTRIES CONTACT:**  
Hewlett-Packard S.A.  
Rue du Bois-du-Lan 7  
P.O. Box 85  
CH-1217 Meyrin 7 Geneva  
Switzerland  
Tel: 022 41 54 00  
Cable: NEWPACKSA Geneva  
Telex: 774 86

## AFRICA, ASIA, AUSTRALIA

- ANGOLA**  
Teletra Empresa Technica  
de Equipamentos Electronicos  
SAR  
Rua de Barbosa Rodrigues  
12 1  
Box 448  
Luanda  
Cable: TELETRA Luanda
- AUSTRALIA**  
Hewlett-Packard Australia  
Pty Ltd  
22-26 Weir Street  
Blen Iris, 1146  
Victoria  
Tel: 20 1371 6 lines  
Cable: NEWPAK Melbourne  
Telex: 11 024  
Hewlett-Packard Australia  
Pty Ltd  
Corner Bridge & West Streets  
Pymble, New South Wales, 2071  
Tel: 449 6566  
Cable: NEWPAK Sydney  
Telex: 21561  
Hewlett Packard Australia  
Pty Ltd  
47 Churchill Road  
Prospect 5082  
South Australia  
Tel: 55-2186  
Cable: NEWPAK Adelaide  
Hewlett Packard Australia  
Pty Ltd  
2nd Floor Suite 13  
Casablanca Buildings  
186 Adelaide Terrace  
Perth, W.A. 6000  
Tel: 75-4800  
Cable: NEWPAK Perth  
Hewlett-Packard Australia  
Pty Ltd  
10 Woolley Street  
P.O. Box 191  
Melbourn A.C.T. 2602  
Tel: 49-8194  
Cable: NEWPAK Canberra ACT  
Hewlett-Packard Australia  
Pty Ltd  
8 Harvard Street  
P.O. Box 135  
Somers 4069 Queensland  
Tel: 76-4050
- CEYLON**  
United Electricals Ltd  
P.O. Box 88  
Fabala Building  
Slayers Street  
Colombo 7  
Tel: 36696  
Cable: HOTPOINT Colombo
- CYPRUS**  
Kyptronics  
19 Georgios & Xenopoulos Road  
P.O. Box 1152  
Nicosia  
Tel: 45628 29  
Cable: Kyptronics Pafosinis
- ETHIOPIA**  
African Salespower & Agency  
Private Ltd., Co  
P.O. Box 718  
58, 59 Cunningham St  
Addis Ababa  
Tel: 12285  
Cable: ASACO Addisababa
- HONG KONG**  
Schmidt & Co (Hong Kong) Ltd  
P.O. Box 297  
151, Prince's Building 15th Floor  
10, Chater Road  
Hong Kong  
Tel: 240168, 232735  
Cable: SCHMIDTCC Hong Kong
- INDIA**  
Blue Star Ltd  
Kasturi Buildings  
Jamshedji Tata Rd  
Bombay 208 India  
Tel: 29 50 21  
Telex: 1751  
Cable: BLUEFROST  
Blue Star Ltd  
Band Box House  
Prabhadevi  
Bombay 2500 India  
Tel: 45 73 01  
Telex: 1751  
Cable: BLUESTAR  
Blue Star Ltd  
14 40 Civil Lines  
Kanpur India  
Tel: 6 58 82  
Cable: BLUESTAR  
Blue Star Ltd  
7 Mare Street  
P.O. Box 508  
Calcutta 1 India  
Tel: 23-0131  
Telex: 655  
Cable: BLUESTAR  
Blue Star Ltd  
Blue Star House  
54 Ring Road  
Lafol Nagar  
New Delhi 24 India  
Tel: 62 32 76  
Telex: 463  
Cable: BLUESTAR  
Blue Star Ltd  
Blue Star House  
11 11A Magarath Road  
Bangalore, 25  
Tel: 51473  
Telex: 430  
Cable: BLUESTAR
- INDONESIA**  
Blue Star Ltd  
11 117 1  
Sarajoi Devi Road  
Sukorejo 3  
Tel: 7 63 91 7 73 93  
Cable: BLUEFROST  
Blue Star Ltd  
23 24 Second Line Beach  
Medras 2 India  
Tel: 2 39 55  
Telex: 176  
Cable: BLUESTAR  
Blue Star Ltd  
18 Karsar Bungalow  
Dindli Road  
Jamshedpur India  
Tel: 78 04  
Cable: BLUESTAR  
Blue Star Ltd  
15B-1 Yamrei  
Sibitupa-Ku, Tokyo  
Tel: 03-370-2281, 92  
Telex: 232 2024YNP  
Cable: FMPMARKET TOK 23 724  
Yokogawa-Hewlett-Packard Ltd  
Nisei Ibaragi Bldg  
7 2 8 Kanaga  
Ibaragi Shi  
Saitama  
Tel: 0276: 23-1641  
Telex: 5332 185 YNP OSARA  
Yokogawa-Hewlett-Packard Ltd  
Ito Building  
No 55, Kobori-cho  
Nakamura-Ku, Nagoya City  
Tel: 052: 551 0215
- JAPAN**  
Yokogawa-Hewlett-Packard Ltd  
Ohsaki Building  
15B-1 Yamrei  
Sibitupa-Ku, Tokyo  
Tel: 03-370-2281, 92  
Telex: 232 2024YNP  
Cable: FMPMARKET TOK 23 724  
Yokogawa-Hewlett-Packard Ltd  
Nisei Ibaragi Bldg  
7 2 8 Kanaga  
Ibaragi Shi  
Saitama  
Tel: 0276: 23-1641  
Telex: 5332 185 YNP OSARA  
Yokogawa-Hewlett-Packard Ltd  
Ito Building  
No 55, Kobori-cho  
Nakamura-Ku, Nagoya City  
Tel: 052: 551 0215
- KENYA**  
Kenya Simetex  
P.O. Box 18311  
Nairobi, Kenya  
Tel: 57726  
Cable: PROTON
- KOREA**  
Amfraco Corporation  
Industrial Products Div  
Seoul P.O. Box 1103  
6th Floor Daehyung Bldg  
107 Sejong Ro  
Chongno Ku, Seoul  
Tel: 73-8924  
Cable: AMTRACO Seoul
- LEBANON**  
Constantin E Macridis  
P.O. Box 7211  
BI-Beyrut  
Tel: 220646  
Cable: ELECTRONUCLEAR Beirut
- MALAYSIA**  
MECOMB Malaysia Ltd  
7 Lorong 13 SA  
Section 13  
Petaling Jaya, Selangor  
Cable: MECOMB Kuala Lumpur
- MOZAMBIQUE**  
A. N. Goncalves, LDA  
41 Apt 14 Av D Lus  
P.O. Box 107  
Lawrence Marques  
Cable: MECOMB
- NEW ZEALAND**  
Hewlett-Packard N.Z. Ltd  
94-96 Dixon St  
P.O. Box 4443  
Courtenay Place  
Wellington, N.Z.  
Tel: 56-559  
Cable: NEWPAK Wellington  
Hewlett Packard N.Z. Ltd  
Box 51092  
Palmerston  
Tel: 56-9837  
Cable: NEWPAK Auckland
- PAKISTAN**  
Mushko & Company Ltd  
Osman Chambers  
Abdullah Harsoon Road  
Karachi 1  
Tel: 511027, 512827  
Cable: COOPERATOR Karachi  
Mushko & Company Ltd  
18B Satellite Town  
Rawalpindi  
Tel: 41924  
Cable: FEMUS Rawalpindi
- PHILIPPINES**  
Electronics Inc  
5th Floor, Architects  
Center Bldg  
Ayala Ave, Manila Rizal  
C.C.P.O. Box 1078  
Manila, Rizal  
Tel: 86 18 87 87 76 77  
Cable: ELEMEX Manila
- SINGAPORE**  
Mechanical and Combustion  
Engineering Company Ltd  
9 Jalan Kilang  
812 Hill Industrial Estate  
Singapore 3  
Tel: 642361 3, 632911  
Cable: MECOMB Singapore  
Hewlett-Packard Far East  
Area Office  
P.O. Box 87  
Alexandra Post Office  
Singapore 3  
Tel: 633027  
Cable: NEWPAK SINGAPORE
- SOUTH AFRICA**  
Hewlett Packard South Africa  
(Pty.), Ltd  
P.O. Box 33716  
Braamfontein Transvaal  
Milnerston  
30 De Beer Street  
Johannesburg  
Tel: 725-2080, 725-2030  
Telex: 6226 JM  
Cable: NEWPAK Johannesburg  
Hewlett Packard South Africa  
(Pty.), Ltd  
Breccaria House  
Bree Street  
Cape Town  
Tel: 5 6018, 1-6545  
Cable: NEWPAK Cape Town  
Telex: 5 0006  
Hewlett Packard South Africa  
(Pty.), Ltd  
641 Ridge Road Durban  
P.O. Box 99  
Durban, Natal  
Tel: 88 6102  
Telex: 56 7054  
Cable: NEWPAK
- TAIWAN**  
Hewlett Packard Taiwan  
78 Chung Shiao West Road  
Box 1  
Overseas Insurance  
Corp Bldg 7th Floor  
Taipei  
Tel: 389160, 1, 2 175121  
Tel: 240-249  
Telex: 1PR24 NEWPAK Taipei
- THAILAND**  
UNIMESA Co. Ltd  
Chongchaivee Building  
56 Surinwongse Road  
Bangkok  
Tel: 37956, 31300, 31307,  
17540  
Cable: UNIMESA Bangkok
- UGANDA**  
Uganda Tele-Electric Co Ltd  
P.O. Box 4449  
Kampala  
Tel: 57279  
Cable: COMCO Kampala
- VIETNAM**  
Poninuar Trading Inc  
P.O. Box H-3  
216 Hien-Yung  
Soligon  
Tel: 20-805, 83396  
Cable: PENTRA, SINGON 242
- ZAMBIA**  
H. J. Tibury Zambia Ltd  
P.O. Box 2792  
Lusaka  
Zambia, Central Africa  
Tel: 73793  
Cable: ARIAYTEE, Lusaka
- MEDITERRANEAN AND MIDDLE EAST COUNTRIES NOT SHOWN PLEASE CONTACT:**  
Hewlett-Packard  
Co-ordination Office for  
Mediterranean and Middle  
East Operations  
Via Marconi 7  
I-00144 Rome-Eur Italy  
Tel: 6 58 40 29  
Cable: NEWPACKIT Rome  
Telex: 61514
- OTHER AREAS NOT LISTED, CONTACT:**  
Hewlett-Packard  
INTERCONTINENTAL  
3200 Hillview Ave  
Palo Alto, California 94304  
Tel: (415) 326-7000  
Telex: 71 493-1506L  
TWX 910-373-1267  
Cable: NEWPAK Palo Alto  
Telex: 034-6300, 634-8483